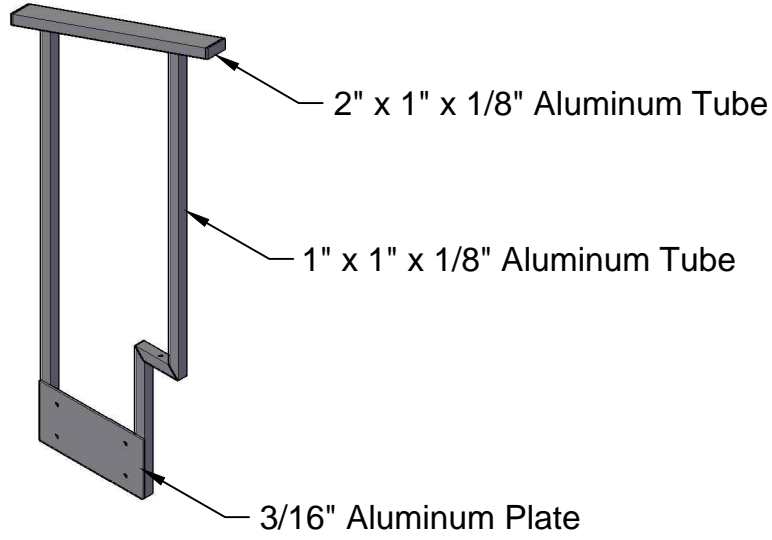
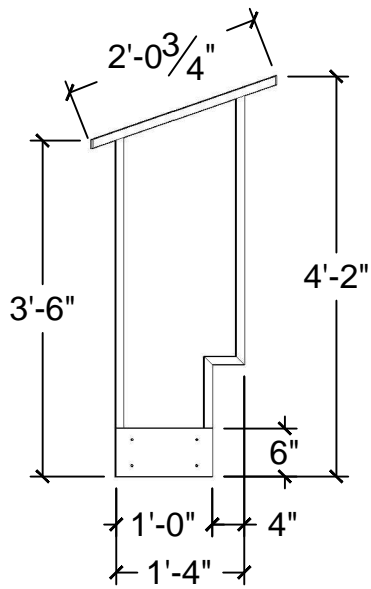


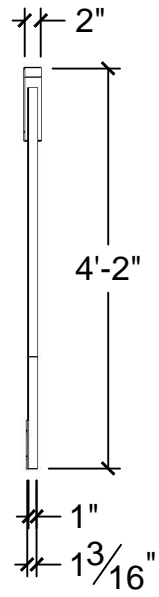
1 PLAN VIEW
Scale: 1/2" = 1'-0"



4 ISO VIEW
Scale: 3/4" = 1'-0"

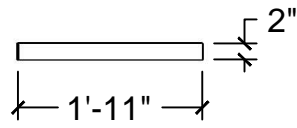


2 FRONT VIEW
Scale: 1/2" = 1'-0"

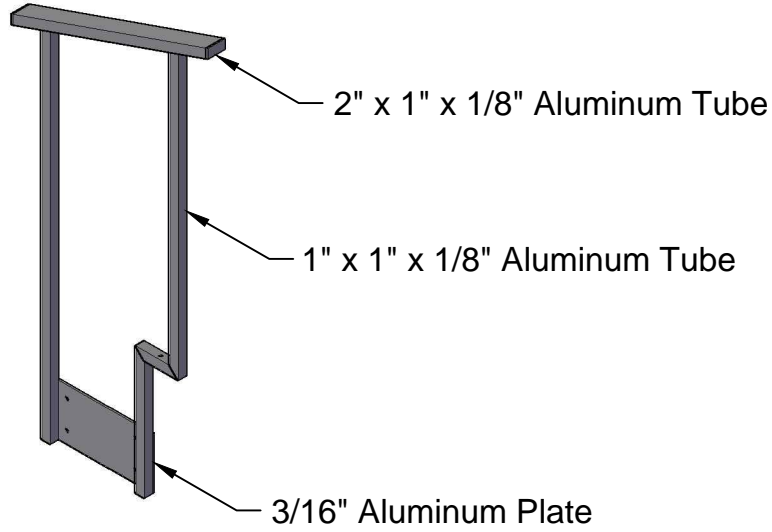


3 SIDE VIEW
Scale: 1/2" = 1'-0"

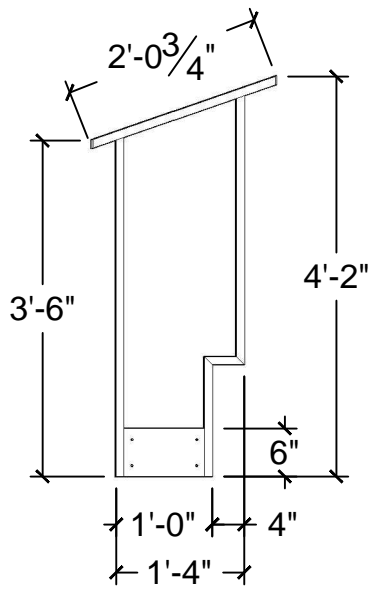
Notes:
•Paint Finish



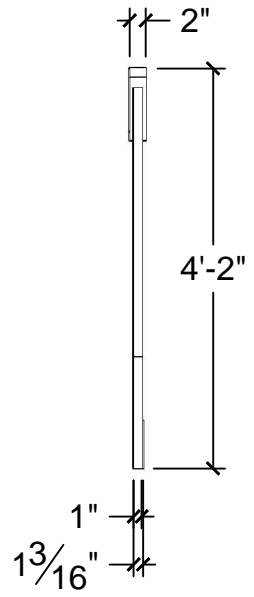
1 PLAN VIEW
Scale: 1/2" = 1'-0"



4 ISO VIEW
Scale: 3/4" = 1'-0"

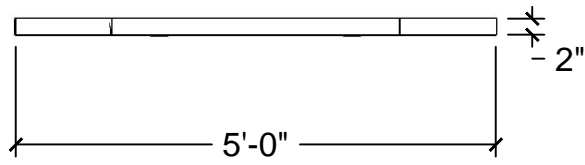


2 FRONT VIEW
Scale: 1/2" = 1'-0"

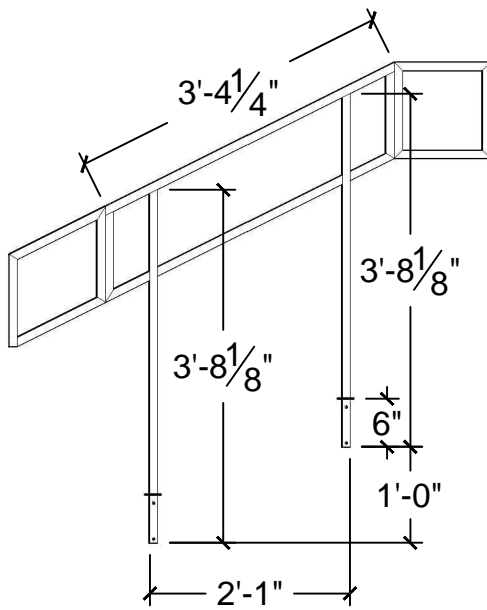


3 SIDE VIEW
Scale: 1/2" = 1'-0"

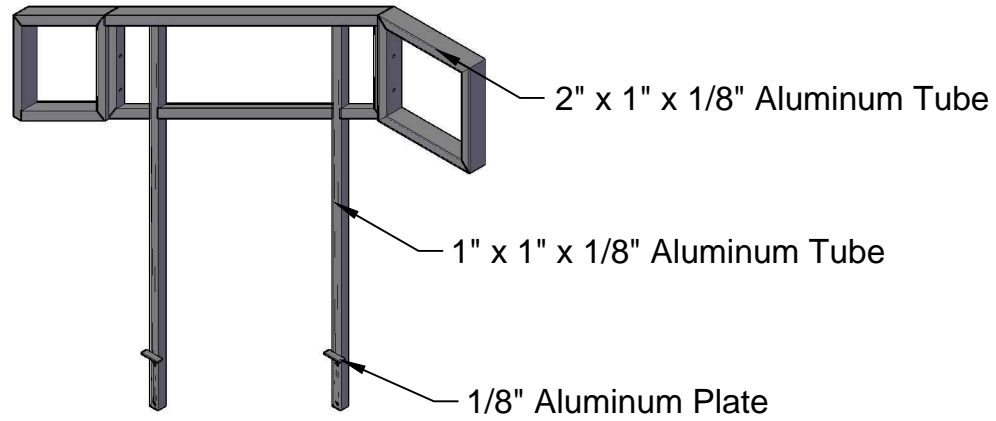
Notes:
•Paint Finish



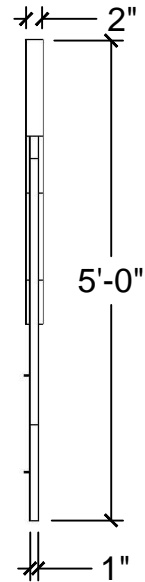
1 **PLAN VIEW**
Scale: 1/2" = 1'-0"



2 **FRONT VIEW**
Scale: 1/2" = 1'-0"

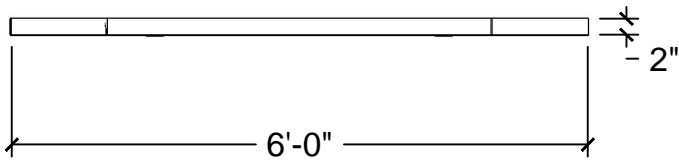


4 **ISO VIEW**
Scale: NTS

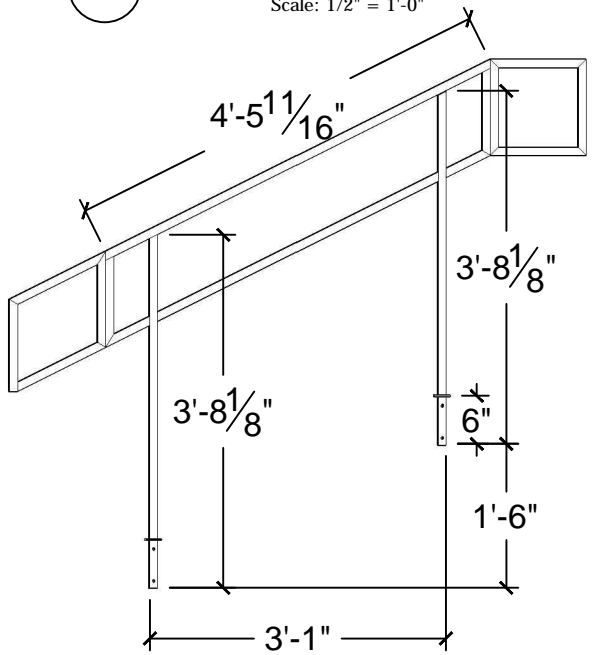


3 **SIDE VIEW**
Scale: 1/2" = 1'-0"

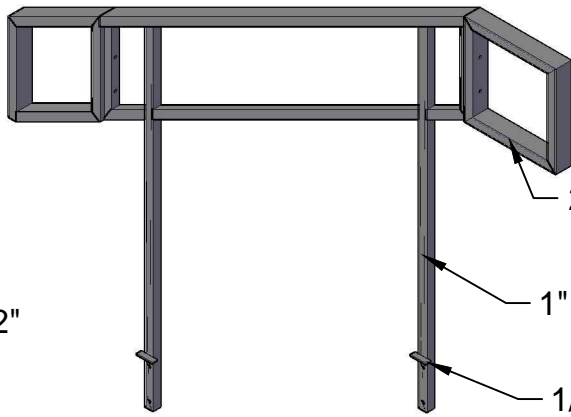
Notes:
•Paint Finish



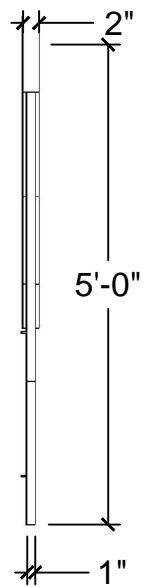
1 PLAN VIEW
Scale: 1/2" = 1'-0"



2 FRONT VIEW
Scale: 1/2" = 1'-0"



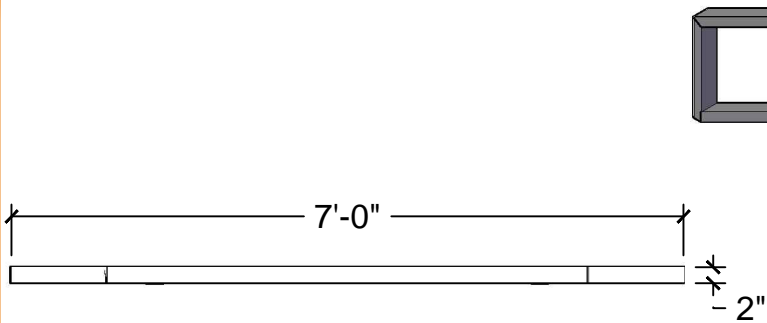
4 ISO VIEW
Scale: NTS



3 SIDE VIEW
Scale: 1/2" = 1'-0"

2" x 1" x 1/8" Aluminum Tube
1" x 1" x 1/8" Aluminum Tube
1/8" Aluminum Plate

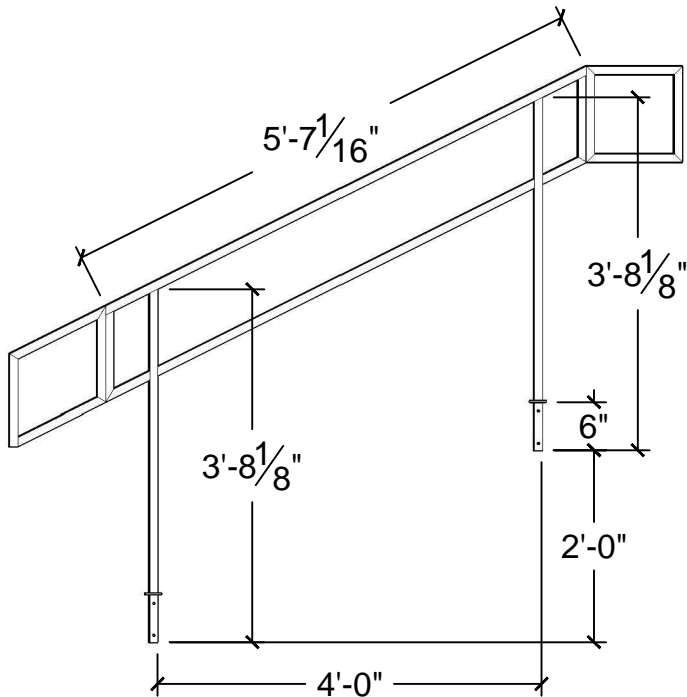
Notes:
•Paint Finish



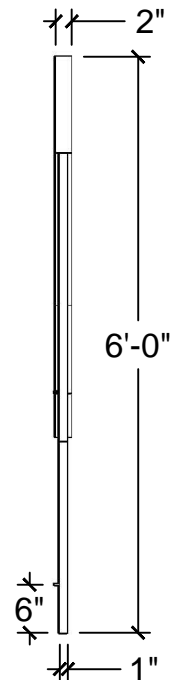
1 **PLAN VIEW**
Scale: 1/2" = 1'-0"



4 **ISO VIEW**
Scale: NTS



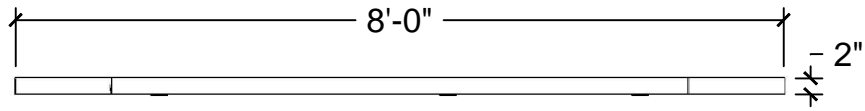
2 **FRONT VIEW**
Scale: 1/2" = 1'-0"



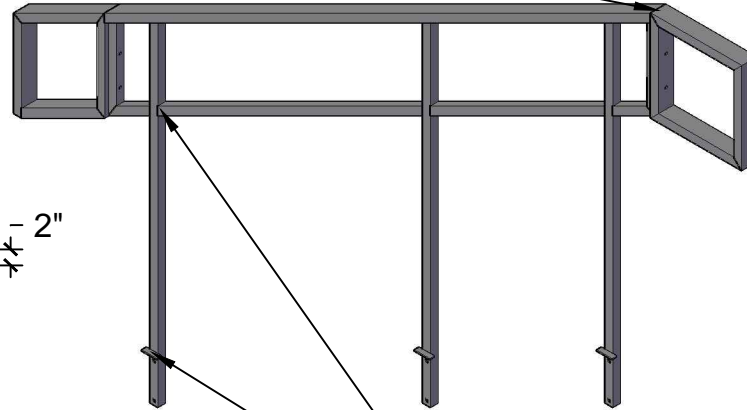
3 **SIDE VIEW**
Scale: 1/2" = 1'-0"

Notes:
•Paint Finish

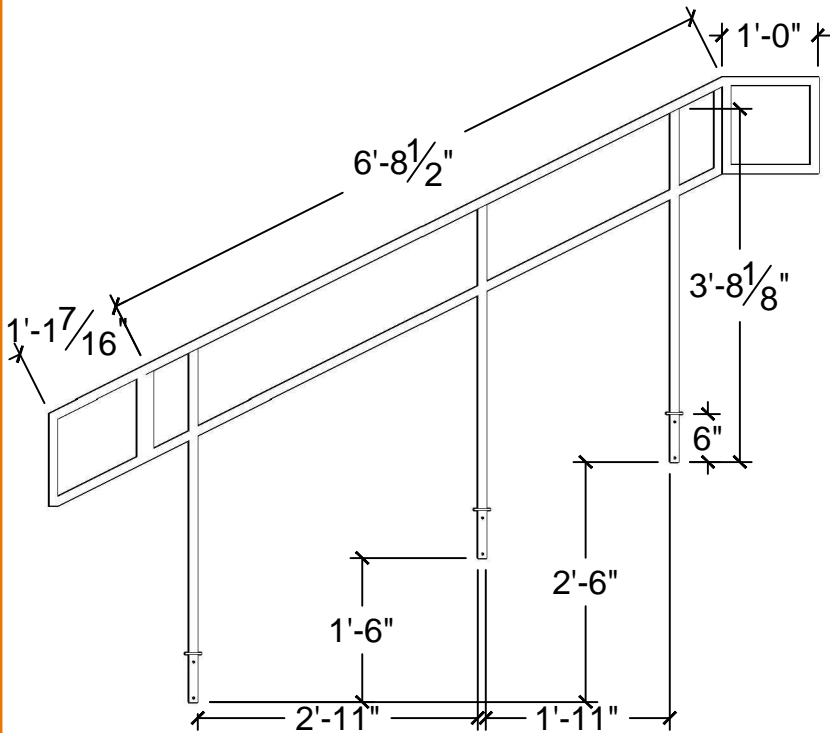
2" x 1" x 1/8" Aluminum Tube



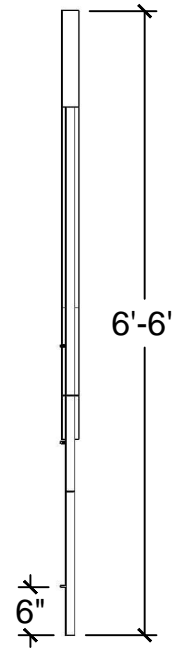
1 **PLAN VIEW**
Scale: 1/2" = 1'-0"



4 **ISO VIEW**
Scale: NTS



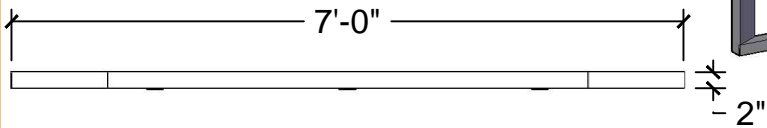
2 **FRONT VIEW**
Scale: 1/2" = 1'-0"



3 **SIDE VIEW**
Scale: 1/2" = 1'-0"

Notes:
•Paint Finish

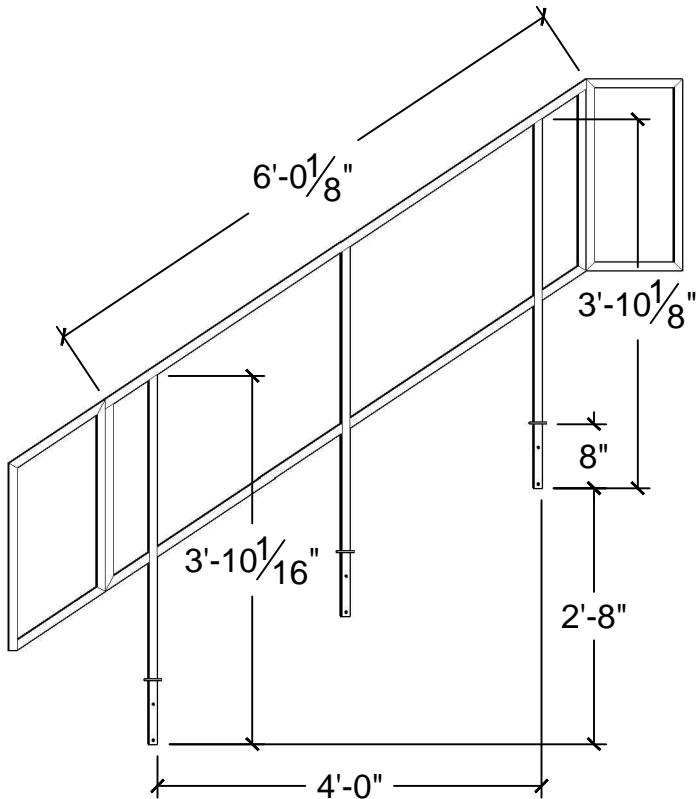
2" x 1" x 1/8" Aluminum Tube



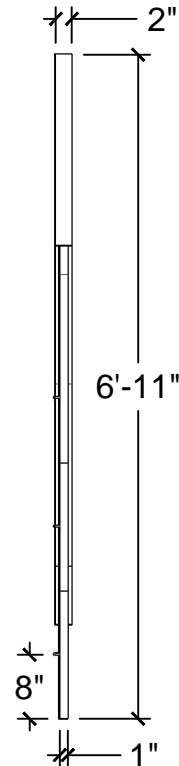
1 PLAN VIEW
Scale: 1/2" = 1'-0"



4 ISO VIEW
Scale: NTS



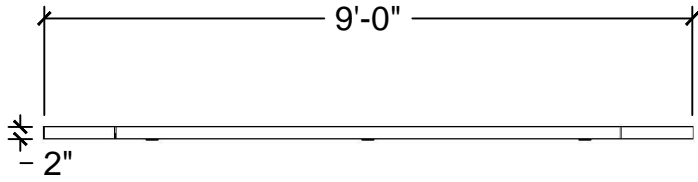
2 FRONT VIEW
Scale: 1/2" = 1'-0"



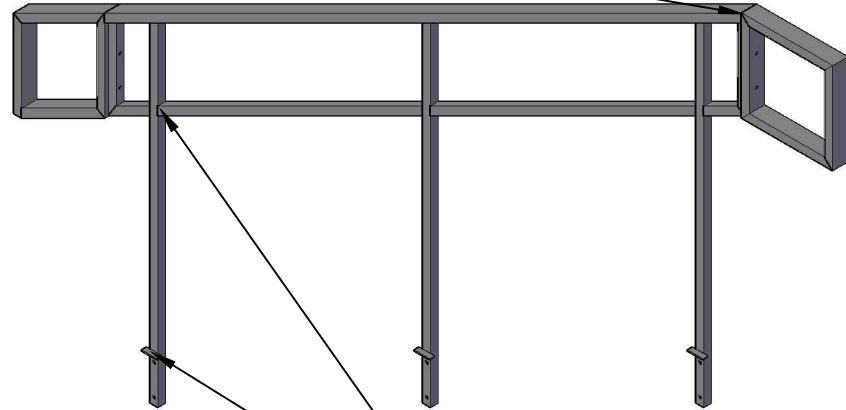
3 SIDE VIEW
Scale: 1/2" = 1'-0"

Notes:
•Paint Finish

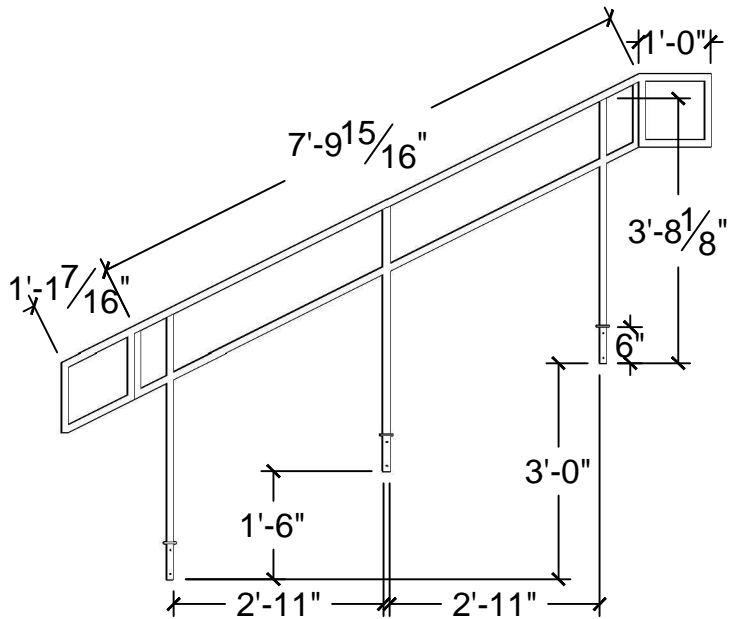
2" x 1" x 1/8" Aluminum Tube



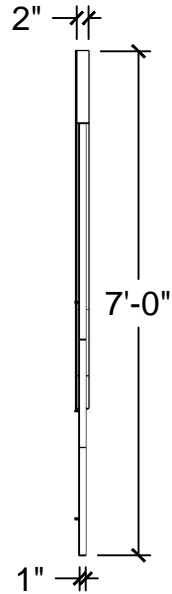
1 **PLAN VIEW**
Scale: 3/8" = 1'-0"



4 **ISO VIEW**
Scale: NTS

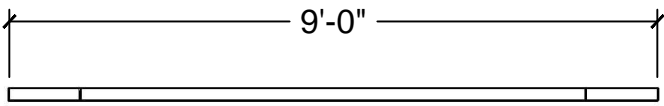


2 **FRONT VIEW**
Scale: 3/8" = 1'-0"

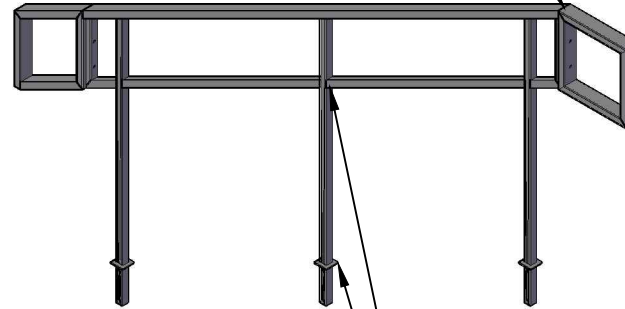


3 **SIDE VIEW**
Scale: 3/8" = 1'-0"

Notes:
•Paint Finish



2"x1"x $\frac{1}{8}$ " ALUM. TUBE

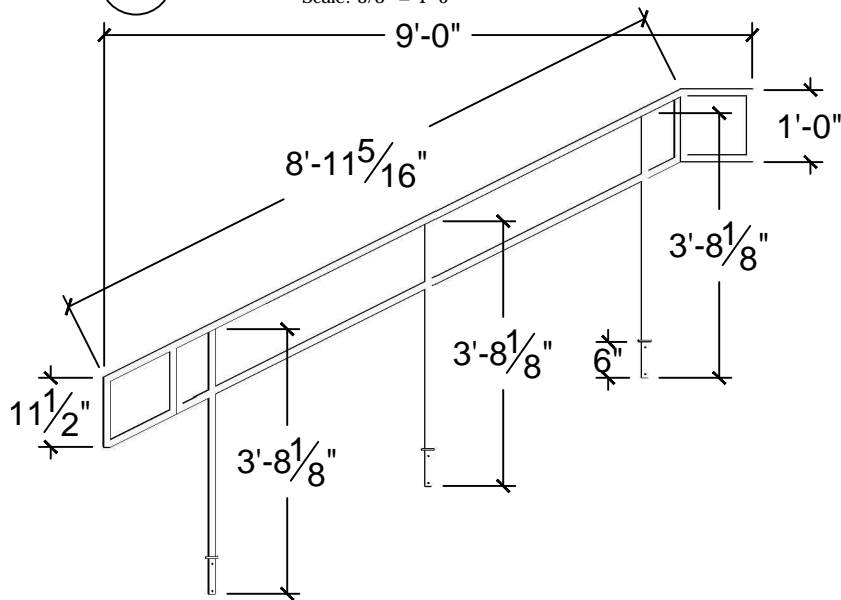


1"x1"x $\frac{1}{8}$ " ALUM. TUBE

$\frac{1}{8}$ " ALUM. PLATE

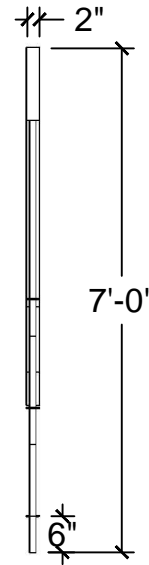
1 PLAN VIEW

Scale: $\frac{3}{8}$ " = 1'-0"



4 ISO VIEW

Scale: $\frac{1}{2}$ " = 1'-0"



2 FRONT VIEW

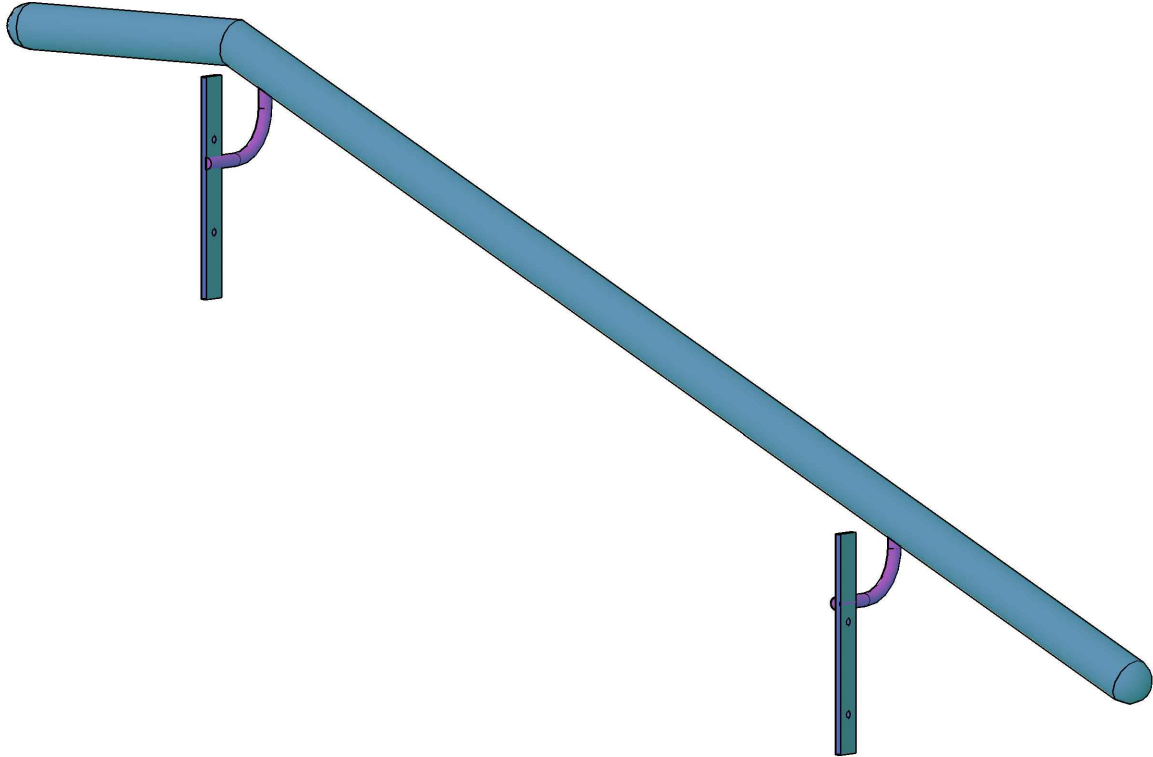
Scale: $\frac{3}{8}$ " = 1'-0"

3 SIDE VIEW

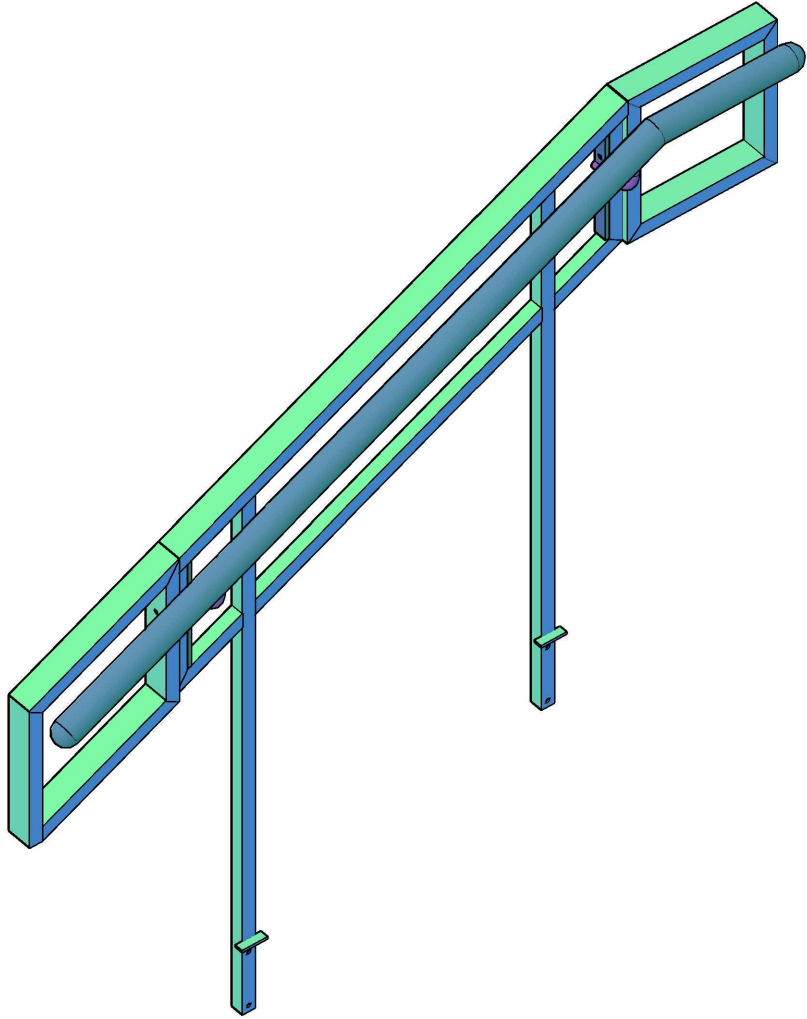
Scale: $\frac{3}{8}$ " = 1'-0"

Notes:

CUSTOM SCENERY



3 FRONT ELEVATION
Scale: 1 1/2" = 1'-0"



2 ISO
NTS