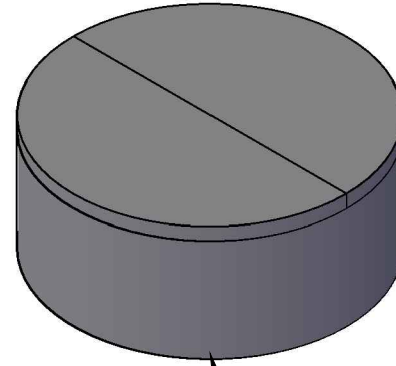
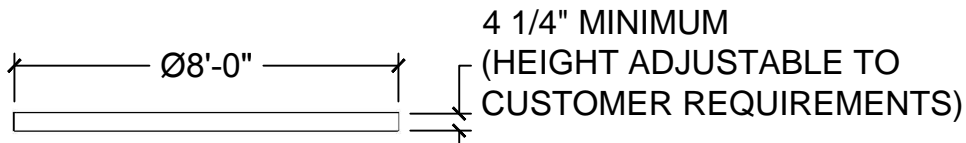


1 PLAN VIEW
Scale: 1/4" = 1'-0"

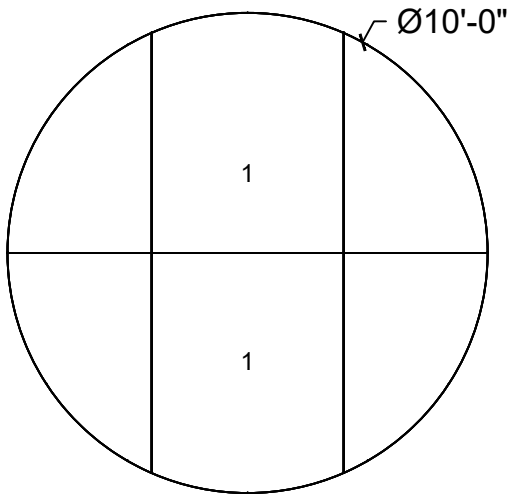


3 ISO VIEW
Scale: 1/4" = 1'-0"

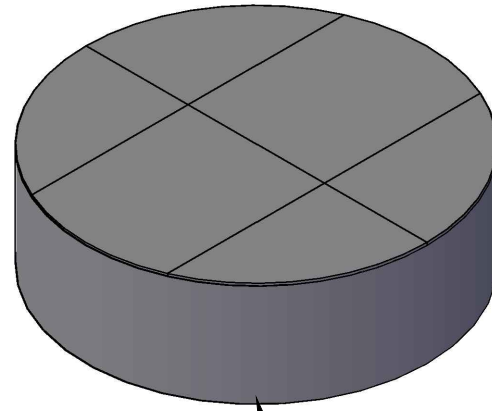


2 FRONT VIEW
Scale: 1/4" = 1'-0"

- Notes:
- PAINT BLACK
 - STAGING SHOWN WITH CUSTOM DECK PLUGS

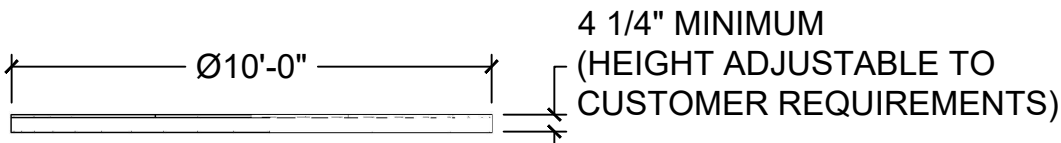


1 PLAN VIEW
Scale: 1/4" = 1'-0"



STAGE SHOWN ON
3'-0" ELEVATION
FOR REFERENCE

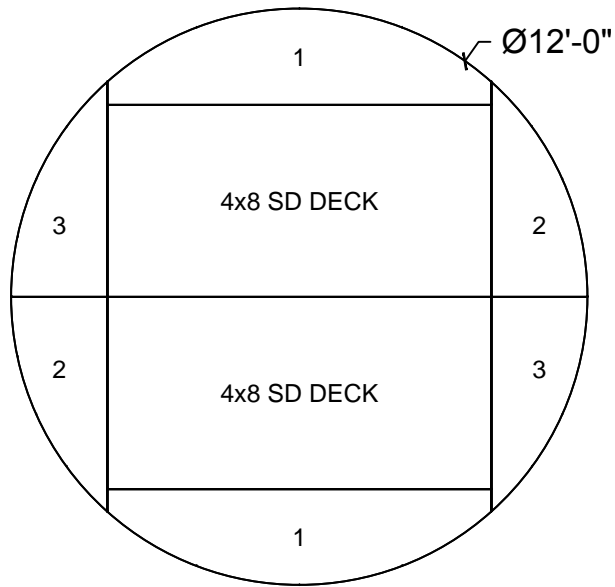
3 ISO VIEW
Scale: 1/4" = 1'-0"



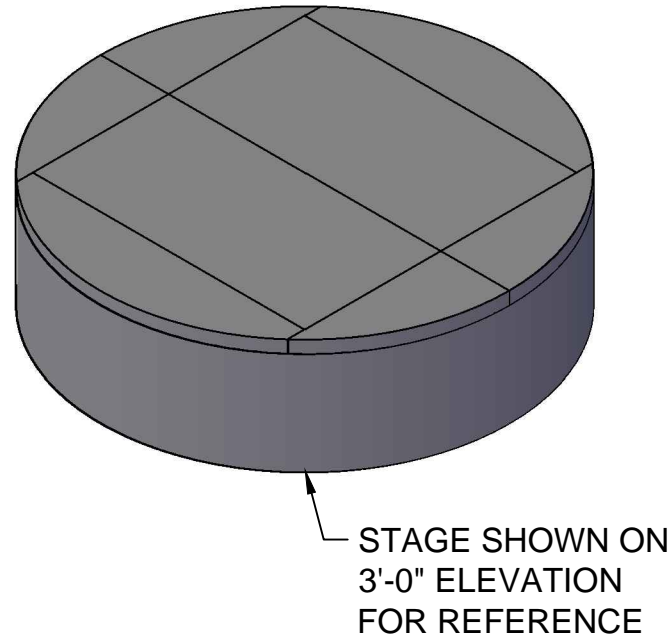
2 FRONT VIEW
Scale: 1/4" = 1'-0"

Notes:

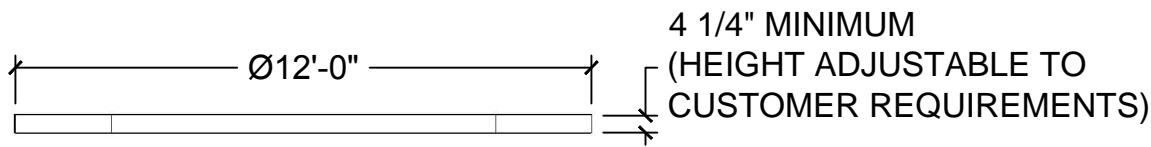
- PAINT BLACK
- STAGING SHOWN WITH STANDARD 4x4 SD DECKS & CUSTOM DECK PLUGS



1 **PLAN VIEW**
Scale: 1/4" = 1'-0"

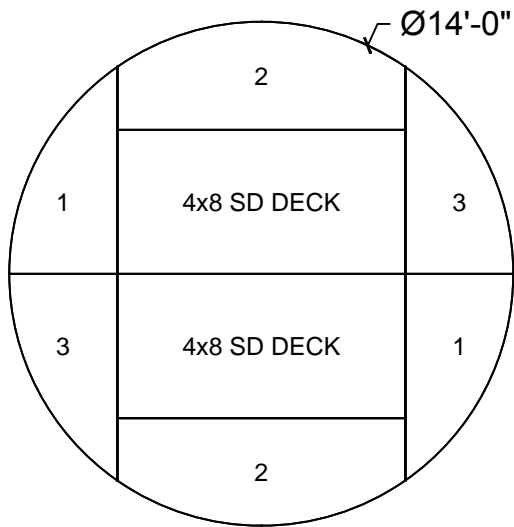


3 **ISO VIEW**
Scale: 1/4" = 1'-0"

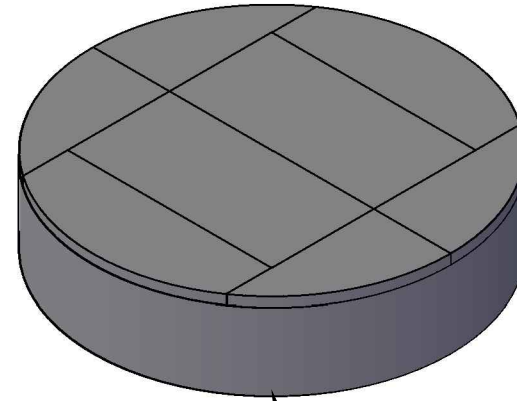


2 **FRONT VIEW**
Scale: 1/4" = 1'-0"

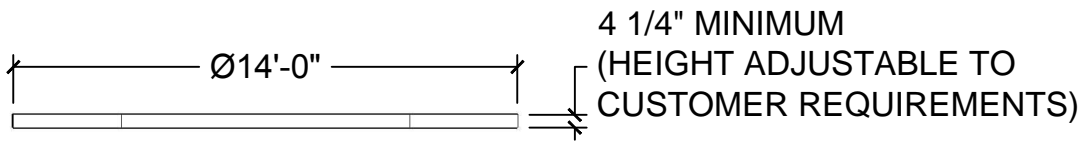
- Notes:
- PAINT BLACK
 - STAGING SHOWN WITH STANDARD 4x8 SD DECKS & CUSTOM DECK PLUGS



1 **PLAN VIEW**
Scale: 3/16" = 1'-0"



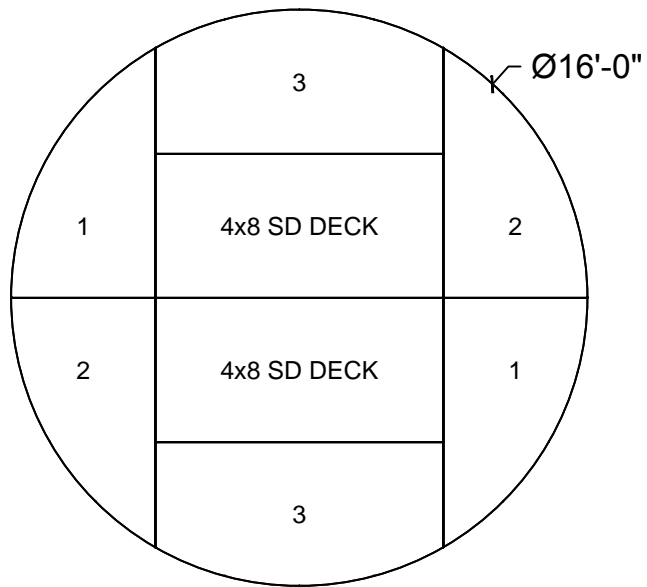
3 **ISO VIEW**
Scale: 3/16" = 1'-0"



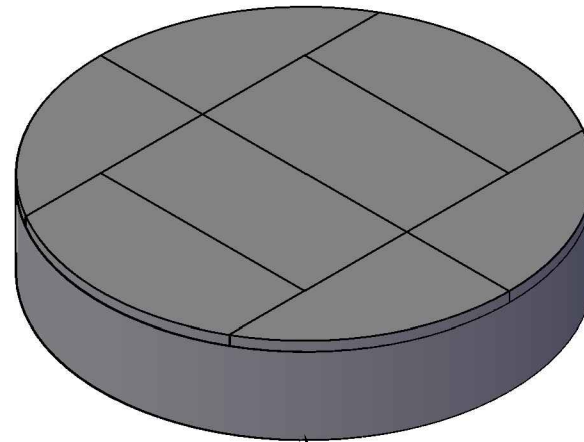
2 **FRONT VIEW**
Scale: 3/16" = 1'-0"

Notes:

- PAINT BLACK
- STAGING SHOWN WITH STANDARD 4x8 SD DECKS & CUSTOM DECK PLUGS

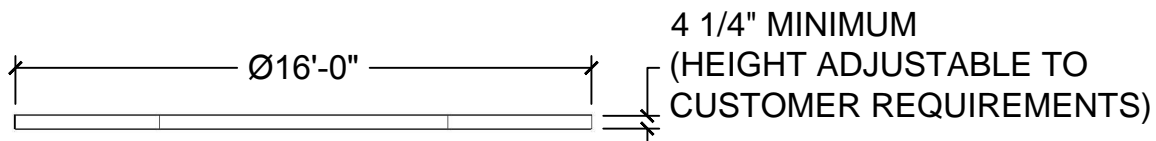


1 **PLAN VIEW**
Scale: 3/16" = 1'-0"



STAGE SHOWN ON
3'-0" ELEVATION
FOR REFERENCE

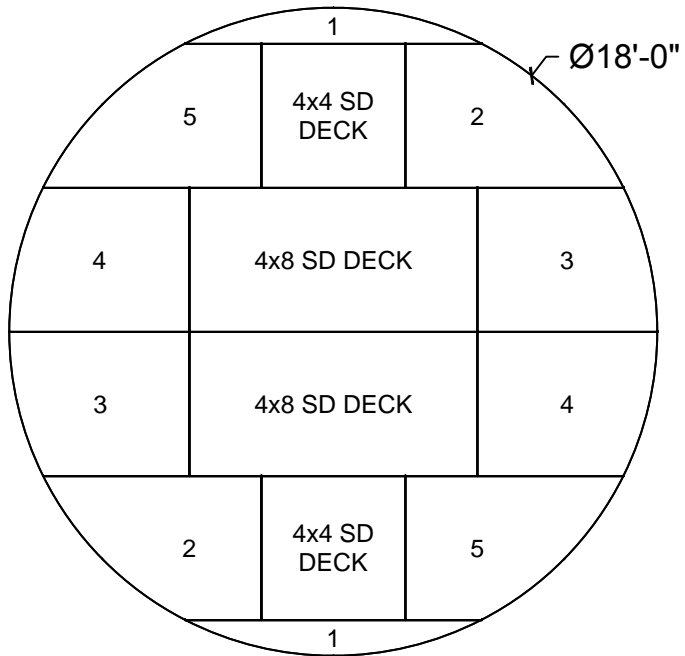
3 **ISO VIEW**
Scale: 3/16" = 1'-0"



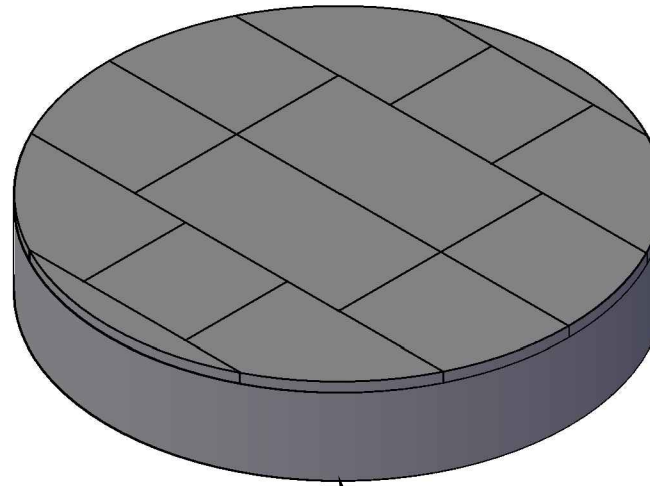
2 **FRONT VIEW**
Scale: 3/16" = 1'-0"

Notes:

- PAINT BLACK
- STAGING SHOWN WITH STANDARD 4x8 SD DECKS & CUSTOM DECK PLUGS

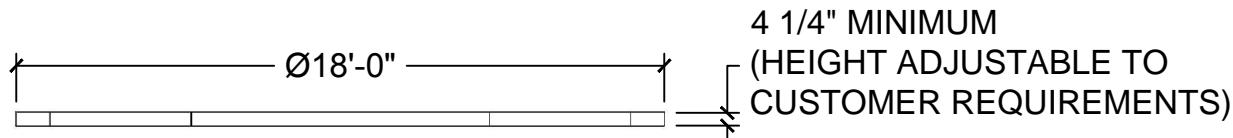


1 **PLAN VIEW**
Scale: 3/16" = 1'-0"



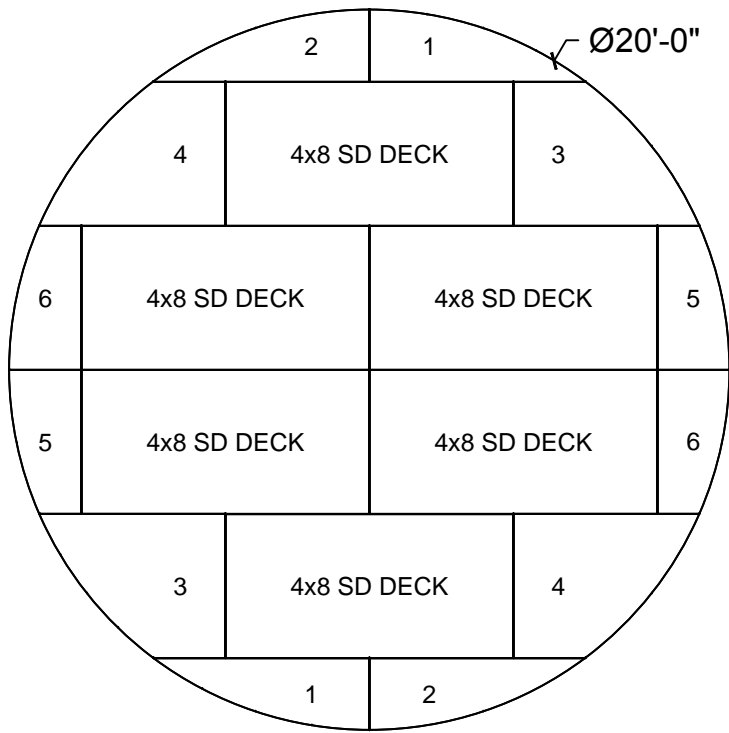
3 **ISO VIEW**
Scale: 3/16" = 1'-0"

STAGE SHOWN ON
3'-0" ELEVATION
FOR REFERENCE

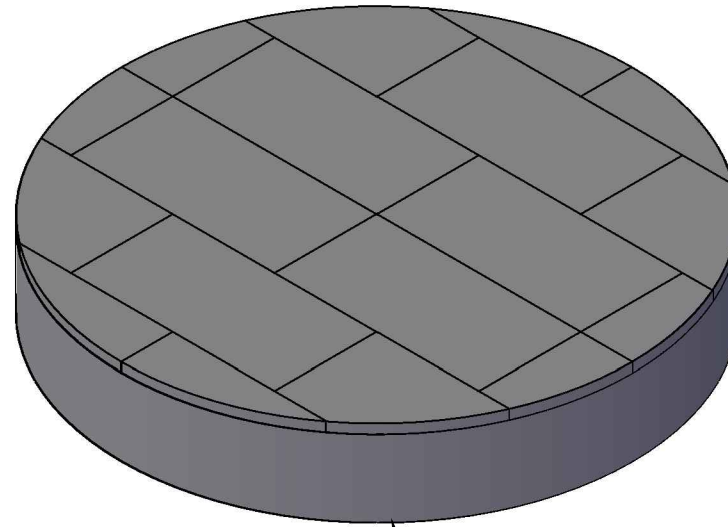


2 **FRONT VIEW**
Scale: 3/16" = 1'-0"

- Notes:
- PAINT BLACK
 - STAGING SHOWN WITH STANDARD 4x8 SD DECKS & CUSTOM DECK PLUGS

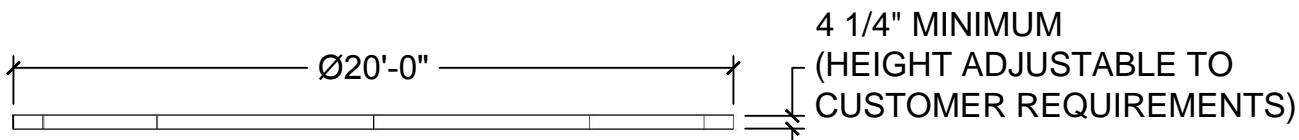


1 **PLAN VIEW**
Scale: 3/16" = 1'-0"



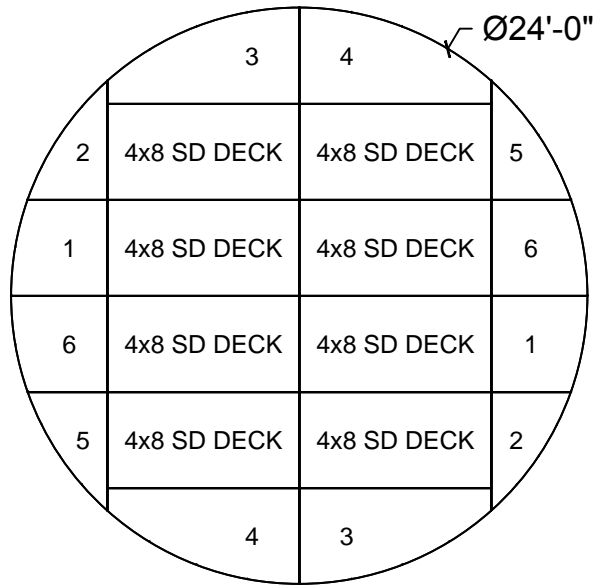
STAGE SHOWN ON
3'-0" ELEVATION
FOR REFERENCE

3 **ISO VIEW**
Scale: 3/16" = 1'-0"

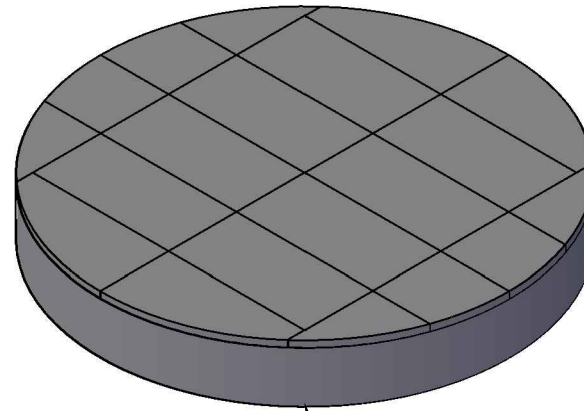


2 **FRONT VIEW**
Scale: 3/16" = 1'-0"

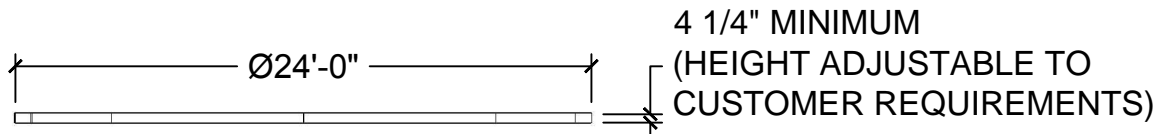
- Notes:
- PAINT BLACK
 - STAGING SHOWN WITH STANDARD 4x8 SD DECKS & CUSTOM DECK PLUGS



1 **PLAN VIEW**
Scale: 1/8" = 1'-0"

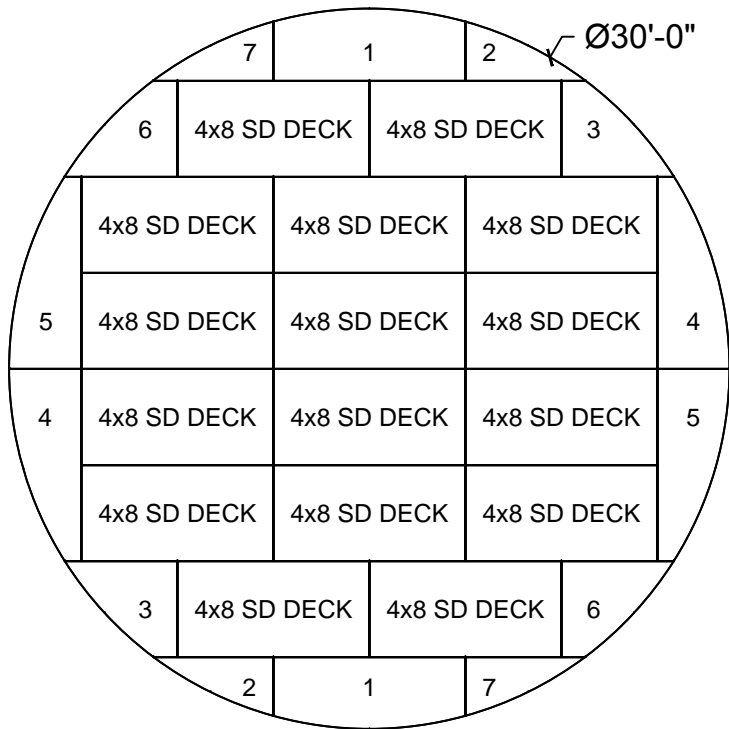


3 **ISO VIEW**
Scale: 1/8" = 1'-0"

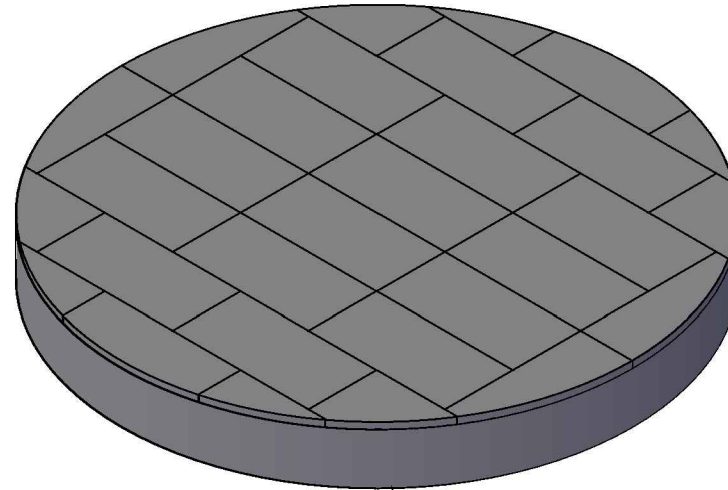


2 **FRONT VIEW**
Scale: 1/8" = 1'-0"

- Notes:
- PAINT BLACK
 - STAGING SHOWN WITH STANDARD 4x8 SD DECKS & CUSTOM DECK PLUGS

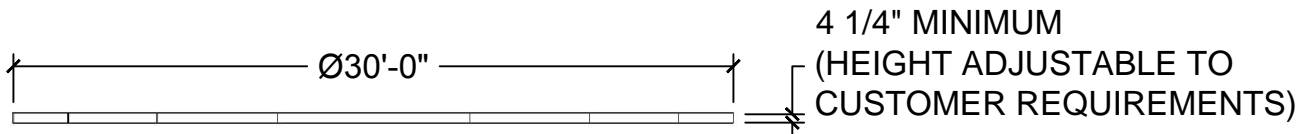


1 **PLAN VIEW**
Scale: 1/8" = 1'-0"



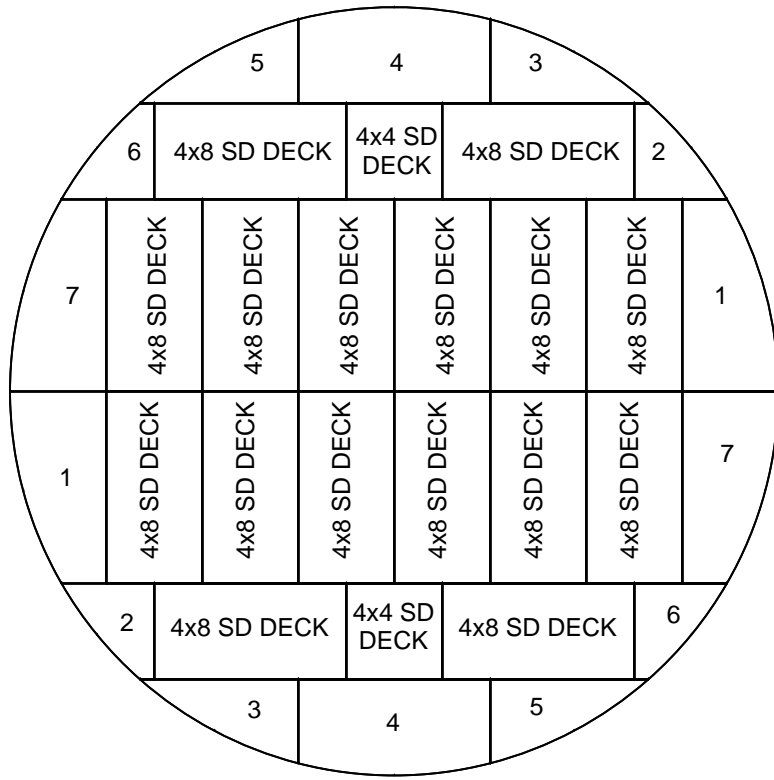
STAGE SHOWN ON
3'-0" ELEVATION
FOR REFERENCE

3 **ISO VIEW**
Scale: 1/8" = 1'-0"

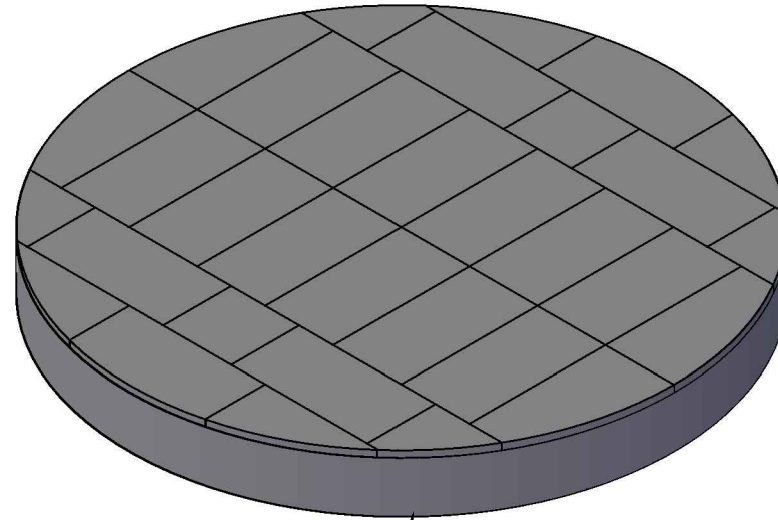


2 **FRONT VIEW**
Scale: 1/8" = 1'-0"

- Notes:
- PAINT BLACK
 - STAGING SHOWN WITH STANDARD 4x8 SD DECKS & CUSTOM DECK PLUGS

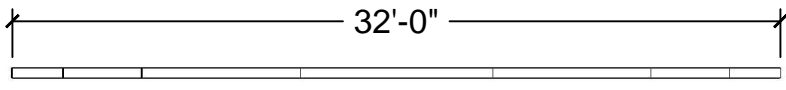


1 **PLAN VIEW**
Scale: 1/8" = 1'-0"



STAGE SHOWN ON
3'-0" ELEVATION
FOR REFERENCE

3 **ISO VIEW**
Scale: 1/8" = 1'-0"

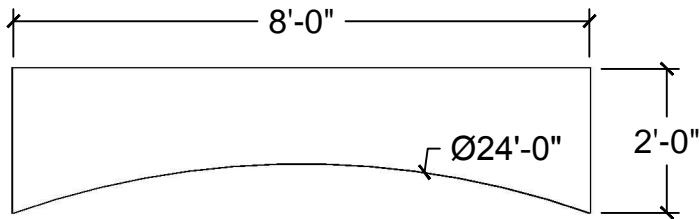


4 1/4" MINIMUM
(HEIGHT ADJUSTABLE TO
CUSTOMER REQUIREMENTS)

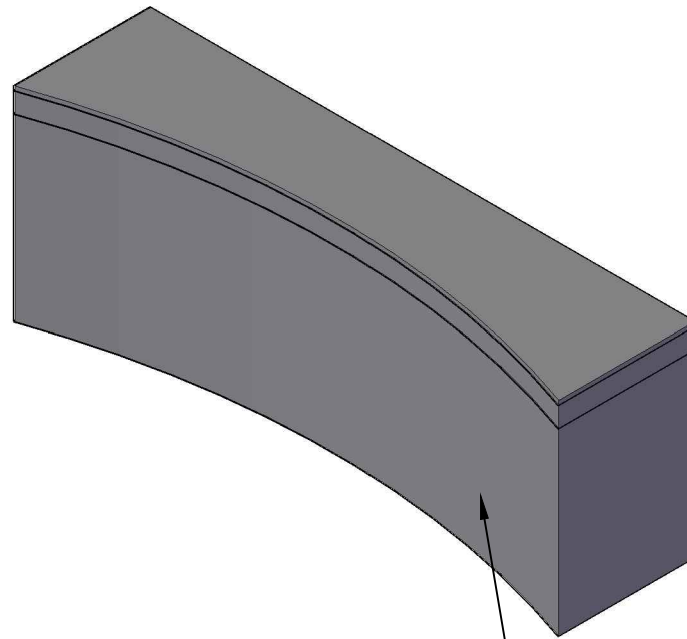
2 **FRONT VIEW**
Scale: 1/8" = 1'-0"

Notes:

- PAINT BLACK
- STAGING SHOWN WITH STANDARD 4x8 SD DECKS & CUSTOM DECK PLUGS

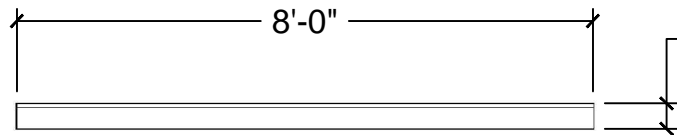


1 **PLAN VIEW**
Scale: 3/8" = 1'-0"



5 **ISO VIEW**
Scale: 1/2" = 1'-0"

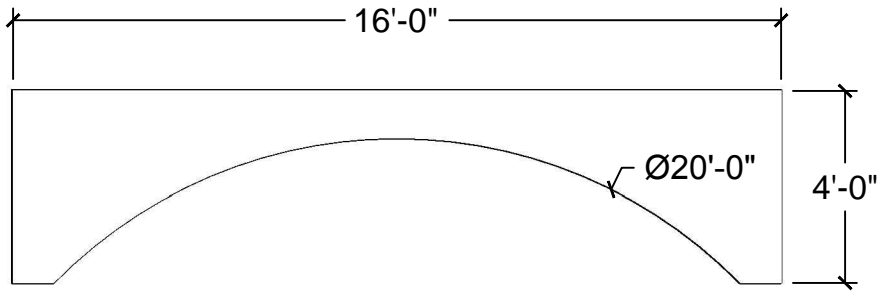
STAGE SHOWN ON
3'-0" ELEVATION
FOR REFERENCE



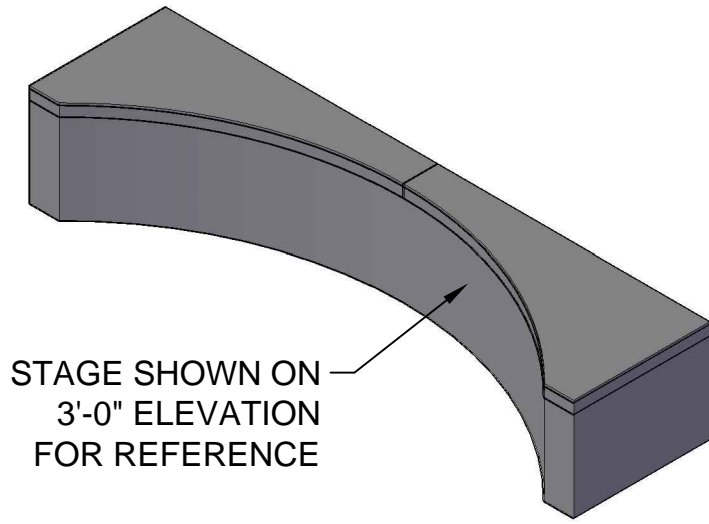
4 1/4" MINIMUM
(HEIGHT ADJUSTABLE TO
CUSTOMER REQUIREMENTS)

2 **FRONT VIEW**
Scale: 3/8" = 1'-0"

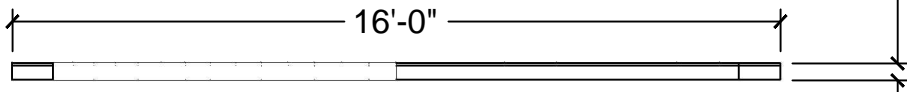
Notes:



1 PLAN VIEW
Scale: 1/4" = 1'-0"



5 ISO VIEW
Scale: 1/4" = 1'-0"



4 1/4" MINIMUM
(HEIGHT ADJUSTABLE TO
CUSTOMER REQUIREMENTS)

2 FRONT VIEW
Scale: 1/4" = 1'-0"

Notes:

-