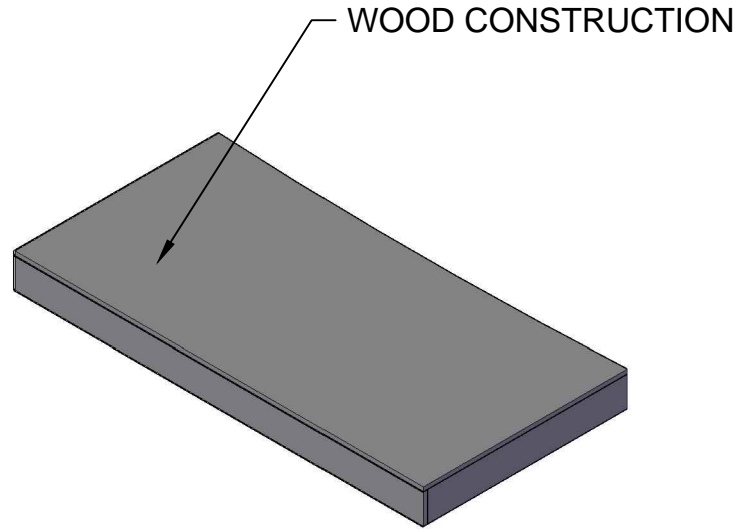
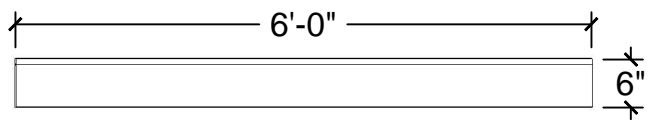


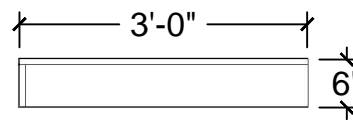
2 PLAN VIEW
Scale: 1/2" = 1'-0"



4 ISO VIEW
Scale: 1/2" = 1'-0"



1 FRONT VIEW
Scale: 1/2" = 1'-0"



3 SIDE VIEW
Scale: 1/2" = 1'-0"

Notes:

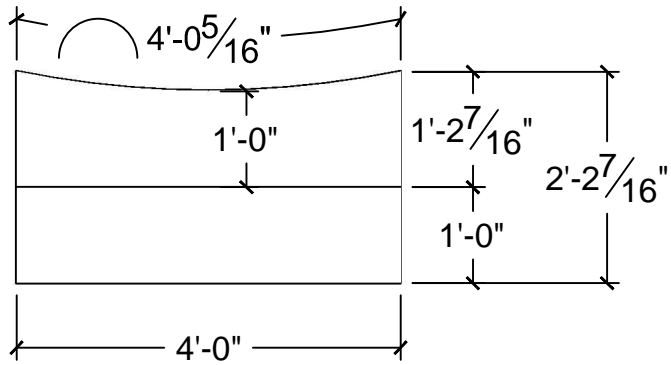
-

Description:

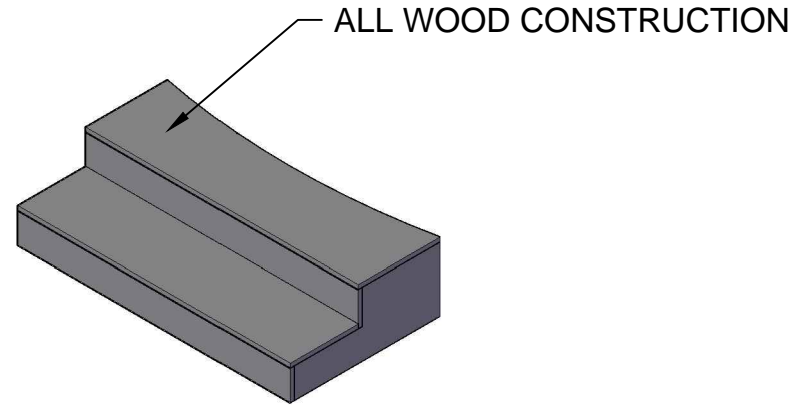
Web-6 step 6 rise 6 wide 3' deep riser-109'-10.5 dia 3' deep

Disclaimer: Design and Drawing are property of Bungalow Product Studios. Drawing cannot be reproduced, copied or used for construction without written permission from Bungalow Scenic Studios.

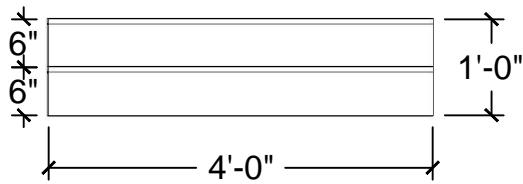
BUNGALOW
scenic studios
3601 Silver Star Road • Orlando, Florida 32808 • 407-401-5191



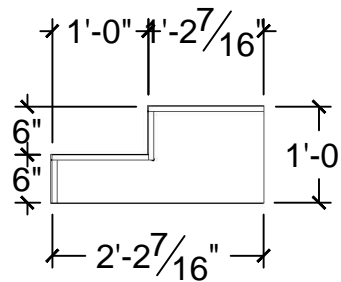
1 **PLAN VIEW**
Scale: 1/2" = 1'-0"



4 **ISO VIEW**
Scale: 1/2" = 1'-0"



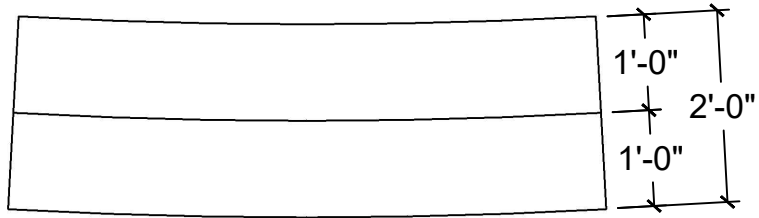
2 **FRONT VIEW**
Scale: 1/2" = 1'-0"



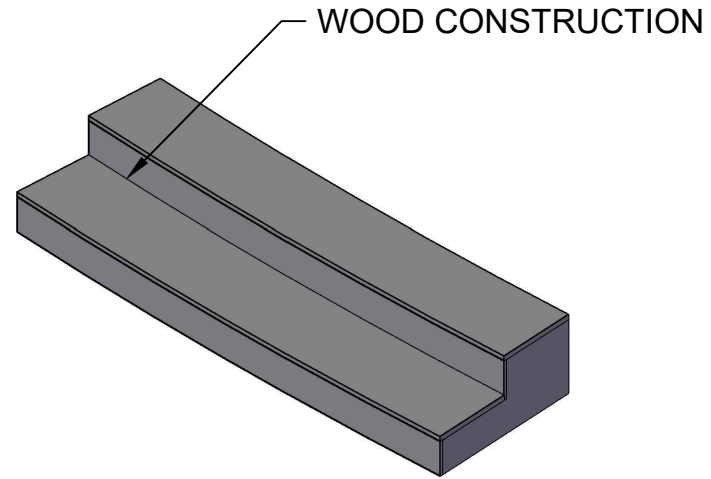
3 **SIDE VIEW**
Scale: 1/2" = 1'-0"

Notes:

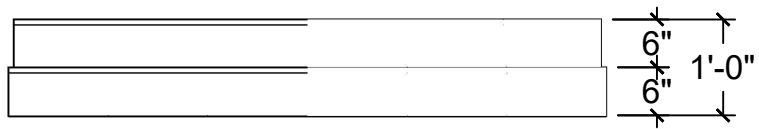
-



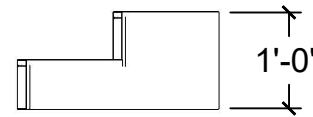
1 PLAN VIEW
Scale: 1/2" = 1'-0"



5 ISO VIEW
Scale: 1/2" = 1'-0"

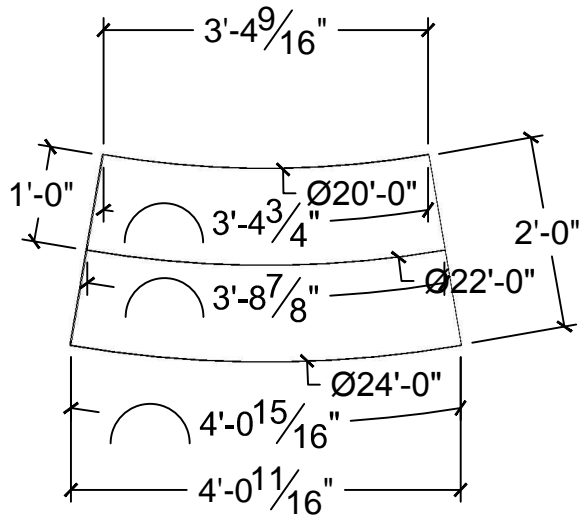


2 FRONT VIEW
Scale: 1/2" = 1'-0"

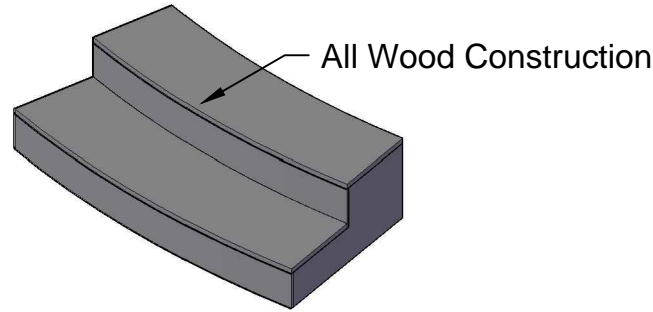


3 SIDE VIEW
Scale: 1/2" = 1'-0"

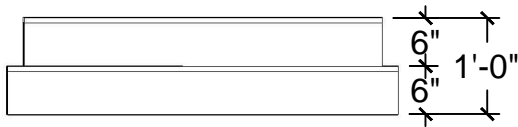
Notes:



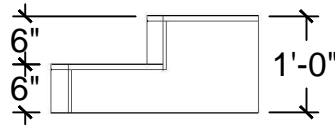
1 **PLAN VIEW**
Scale: 1/2" = 1'-0"



4 **ISO VIEW**
Scale: 1/2" = 1'-0"



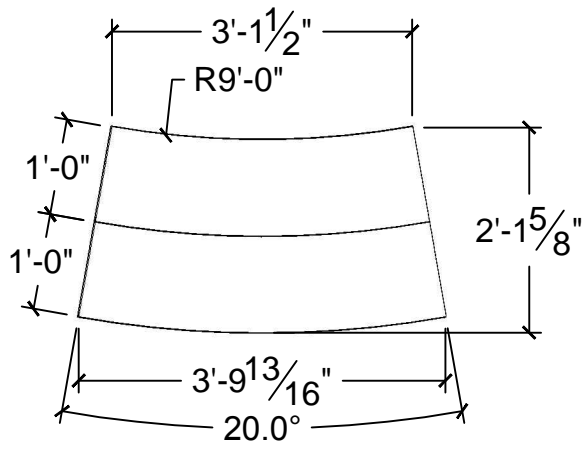
2 **FRONT VIEW**
Scale: 1/2" = 1'-0"



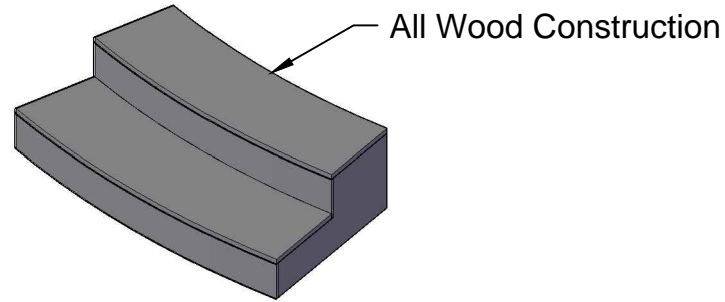
3 **SIDE VIEW**
Scale: 1/2" = 1'-0"

Notes:

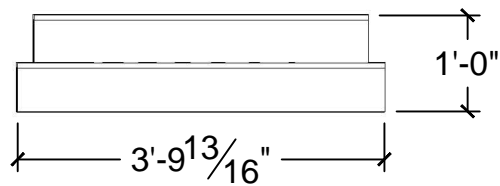
- Paint Finish



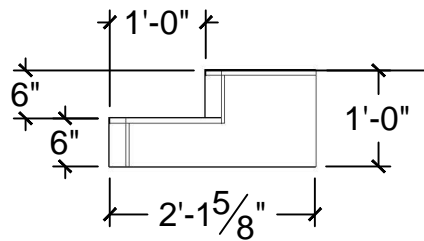
1 PLAN VIEW
Scale: 1/2" = 1'-0"



4 ISO VIEW
Scale: 1/2" = 1'-0"

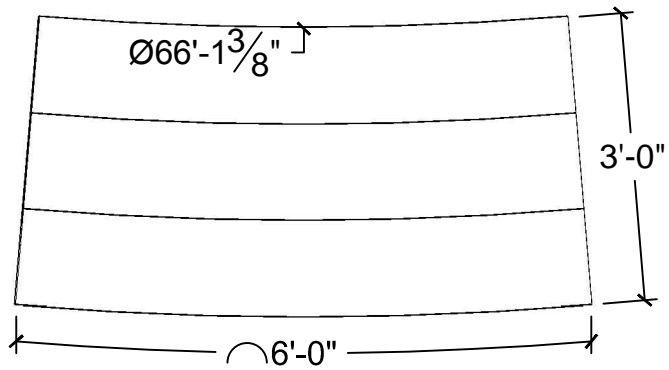


2 FRONT VIEW
Scale: 1/2" = 1'-0"

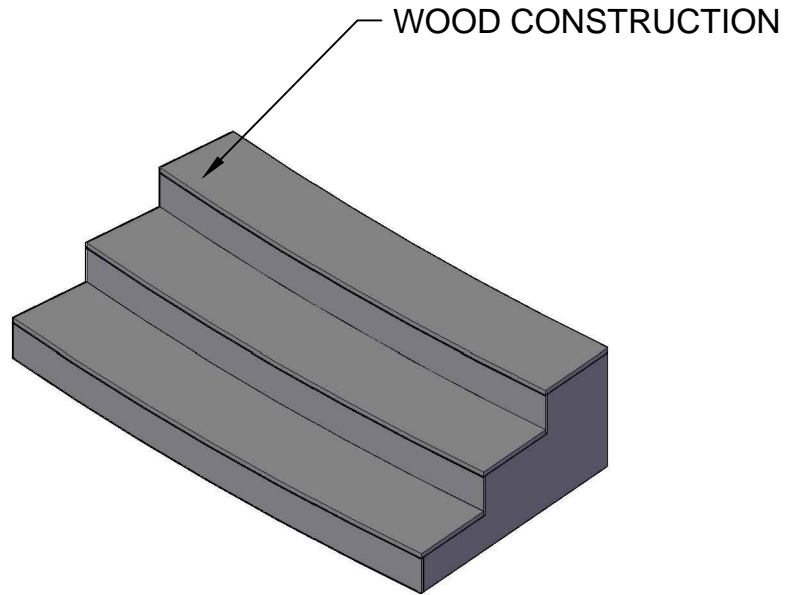


3 SIDE VIEW
Scale: 1/2" = 1'-0"

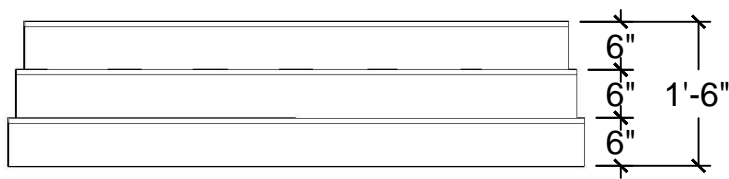
Notes:
•Paint Finish



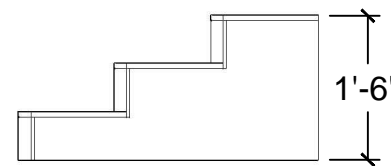
2 **PLAN VIEW**
Scale: 1/2" = 1'-0"



4 **ISO VIEW**
Scale: 1/2" = 1'-0"



1 **FRONT VIEW**
Scale: 1/2" = 1'-0"



3 **SIDE VIEW**
Scale: 1/2" = 1'-0"

Notes:

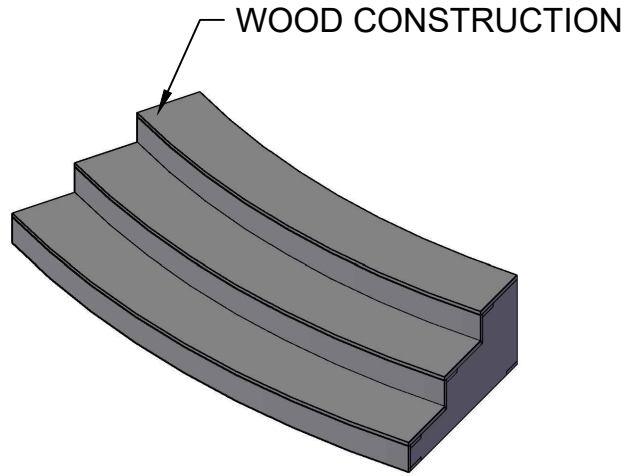
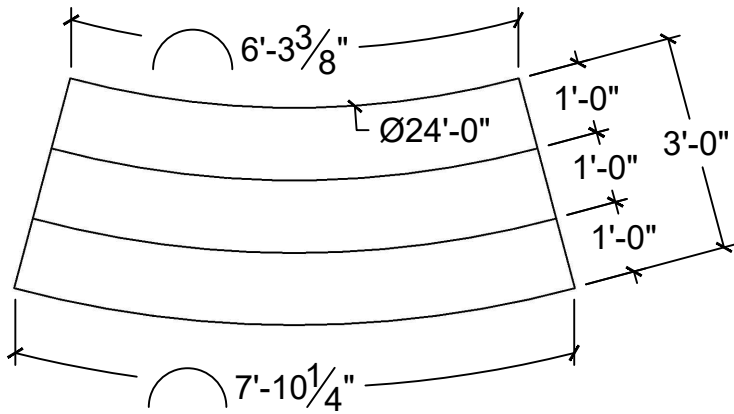
•

Description:

Web-18 step 6 rise 6 wide - 66'-1.375 dia

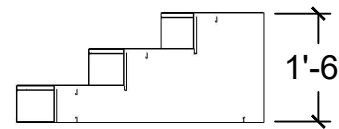
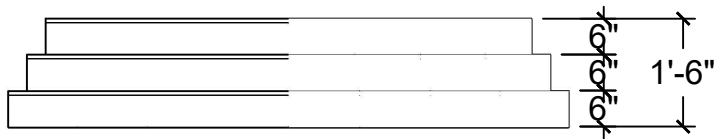
Disclaimer: Design and Drawing are property of Bungalow Product Studios. Drawing cannot be reproduced, copied or used for construction without written permission from Bungalow Scenic Studios.

BUNGALOW
scenic studios
3601 Silver Star Road • Orlando, Florida 32808 • 407-401-5191



1 PLAN VIEW
Scale: 3/8" = 1'-0"

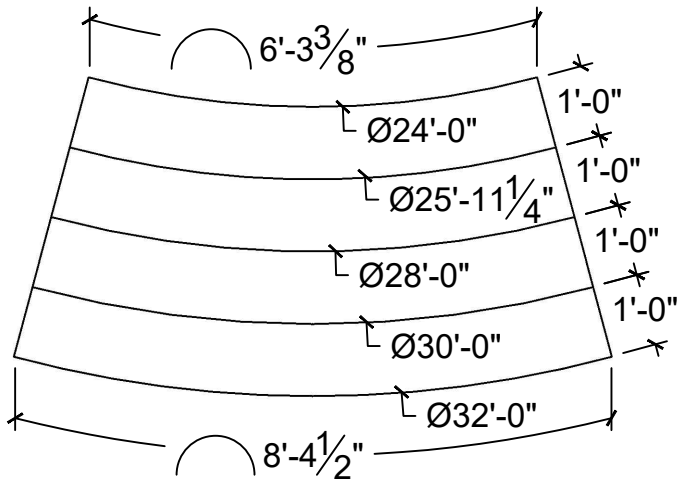
5 ISO VIEW
Scale: 3/8" = 1'-0"



2 FRONT VIEW
Scale: 3/8" = 1'-0"

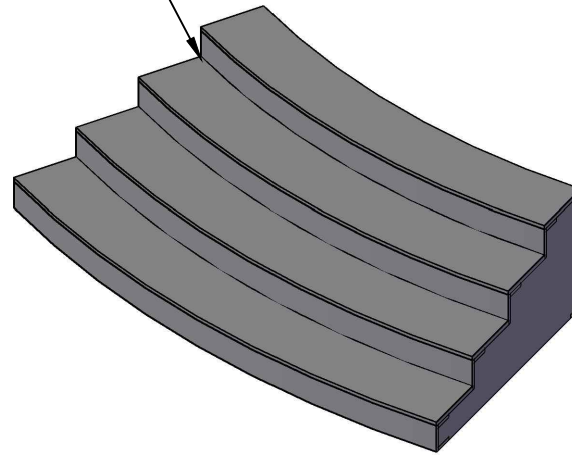
3 SIDE VIEW
Scale: 3/8" = 1'-0"

Notes:

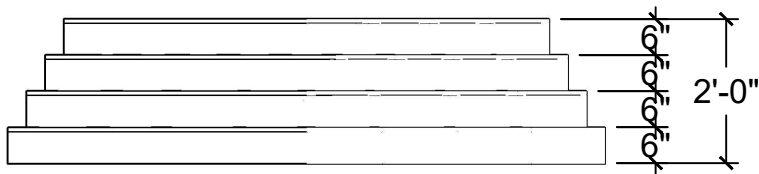


2 **PLAN VIEW**
Scale: 3/8" = 1'-0"

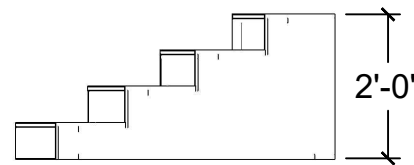
WOOD CONSTRUCTION



4 **ISO VIEW**
Scale: 3/8" = 1'-0"

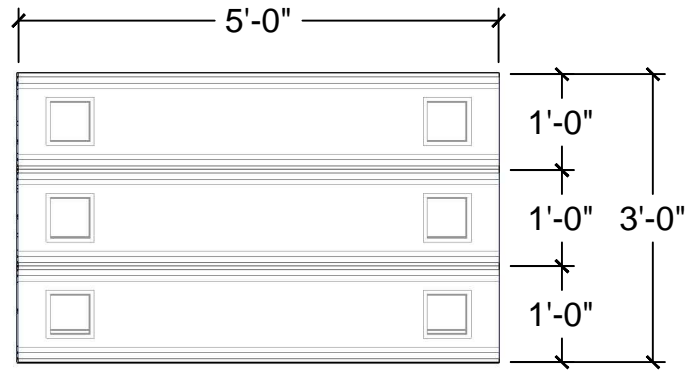


1 **FRONT VIEW**
Scale: 3/8" = 1'-0"

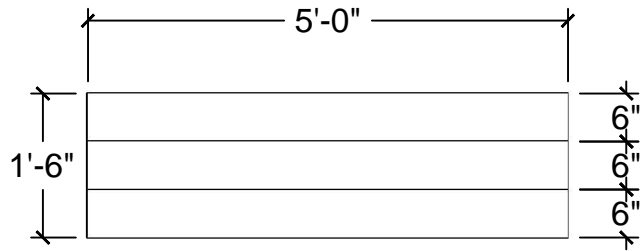


3 **SIDE VIEW**
Scale: 3/8" = 1'-0"

Notes:

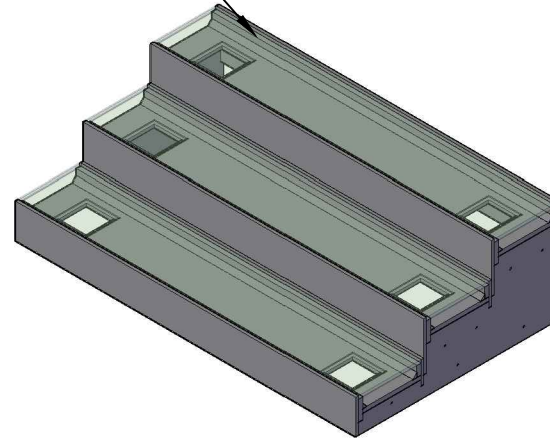


1 PLAN VIEW
Scale: 1/2" = 1'-0"

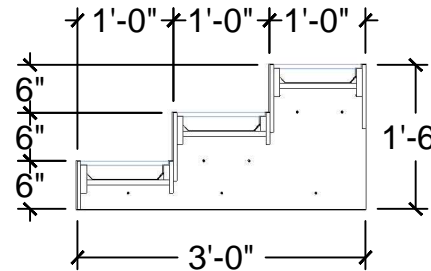


2 FRONT VIEW
Scale: 1/2" = 1'-0"

ALL WOOD CONSTRUCTION
& PLEXI

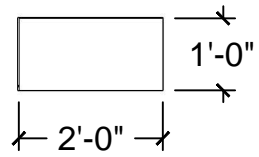


4 ISO VIEW
Scale: 1/2" = 1'-0"

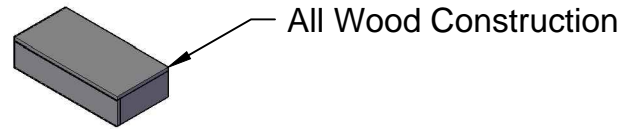


3 SIDE VIEW
Scale: 1/2" = 1'-0"

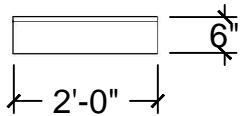
Notes:



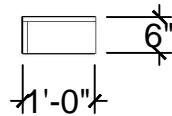
1 PLAN VIEW
Scale: 3/8" = 1'-0"



4 ISO VIEW
Scale: 3/8" = 1'-0"



2 FRONT VIEW
Scale: 3/8" = 1'-0"



3 SIDE VIEW
Scale: 3/8" = 1'-0"

Notes:

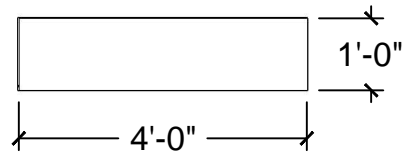
- Paint Finish

Description:

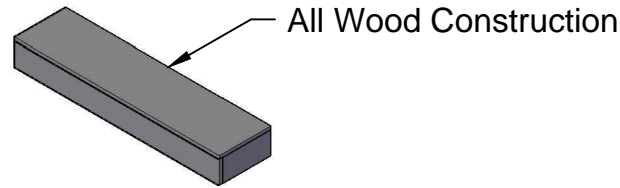
Web_Step Unit - Straight, 6 Rise, 2' Wide, 6 Step

Disclaimer: Design and Drawing are property of Bungalow Scenic Studios. Drawing cannot be reproduced, copied or used for construction without written permission from Bungalow Scenic Studios.

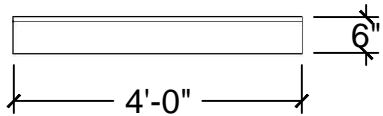
BUNGALOW
scenic studios
3601 Silver Star Road • Orlando, Florida 32808 • 407-401-5191



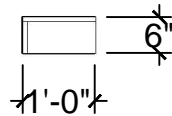
1 **PLAN VIEW**
Scale: 3/8" = 1'-0"



4 **ISO VIEW**
Scale: 3/8" = 1'-0"



2 **FRONT VIEW**
Scale: 3/8" = 1'-0"



3 **SIDE VIEW**
Scale: 3/8" = 1'-0"

Notes:

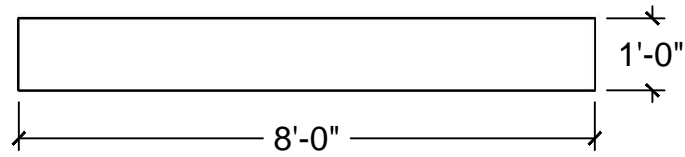
- Paint Finish

Description:

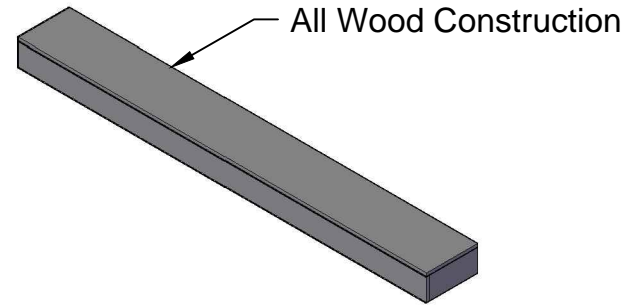
Web_Step Unit - Straight, 6 Rise, 4' Wide, 6 Step

Disclaimer: Design and Drawing are property of Bungalow Scenic Studios. Drawing cannot be reproduced, copied or used for construction without written permission from Bungalow Scenic Studios.

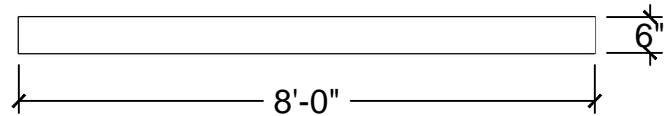
BUNGALOW
scenic studios
3601 Silver Star Road • Orlando, Florida 32808 • 407-401-5191



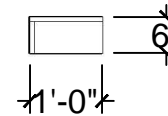
1 **PLAN VIEW**
Scale: 3/8" = 1'-0"



4 **ISO VIEW**
Scale: 3/8" = 1'-0"



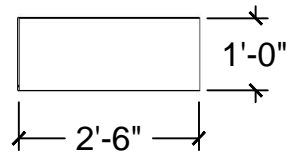
2 **FRONT VIEW**
Scale: 3/8" = 1'-0"



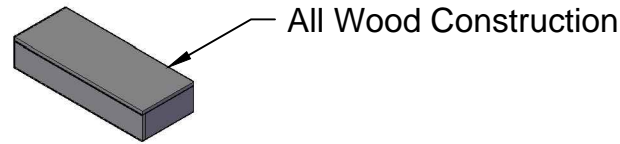
3 **SIDE VIEW**
Scale: 3/8" = 1'-0"

Notes:

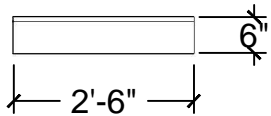
- Paint Finish



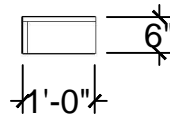
1 **PLAN VIEW**
Scale: 3/8" = 1'-0"



4 **ISO VIEW**
Scale: 3/8" = 1'-0"



2 **FRONT VIEW**
Scale: 3/8" = 1'-0"



3 **SIDE VIEW**
Scale: 3/8" = 1'-0"

Notes:

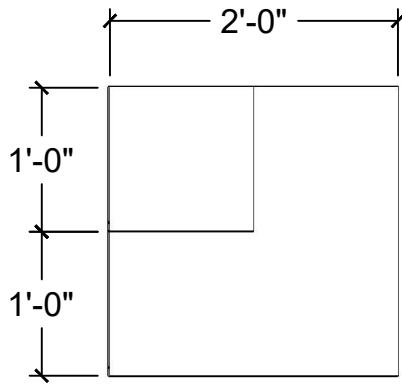
- Paint Finish

Description:

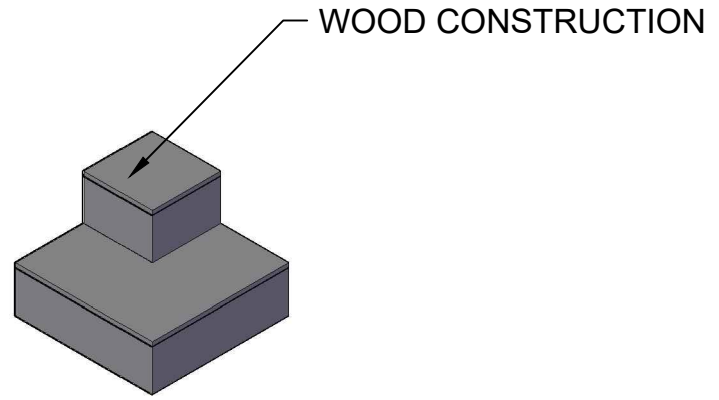
Web_Step Unit - Straight, 6 Rise, 30 Wide, 6 Step

Disclaimer: Design and Drawing are property of Bungalow Scenic Studios. Drawing cannot be reproduced, copied or used for construction without written permission from Bungalow Scenic Studios.

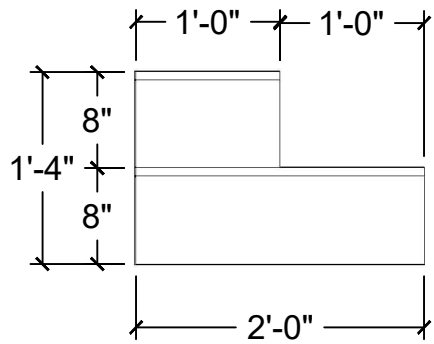
BUNGALOW
scenic studios
3601 Silver Star Road • Orlando, Florida 32808 • 407-401-5191



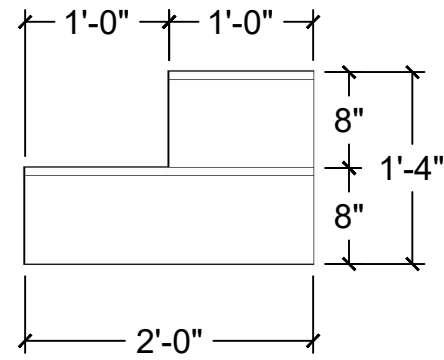
2 **PLAN VIEW**
Scale: 3/4" = 1'-0"



4 **ISO VIEW**
Scale: 1/2" = 1'-0"

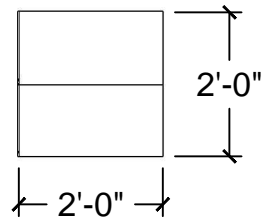


1 **FRONT VIEW**
Scale: 3/4" = 1'-0"

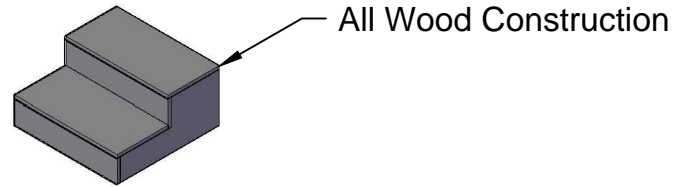


3 **SIDE VIEW**
Scale: 3/4" = 1'-0"

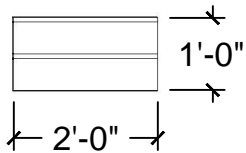
Notes:



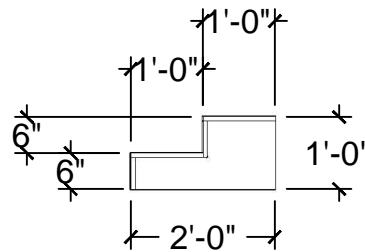
1 **PLAN VIEW**
Scale: 3/8" = 1'-0"



4 **ISO VIEW**
Scale: 3/8" = 1'-0"



2 **FRONT VIEW**
Scale: 3/8" = 1'-0"



3 **SIDE VIEW**
Scale: 3/8" = 1'-0"

Notes:

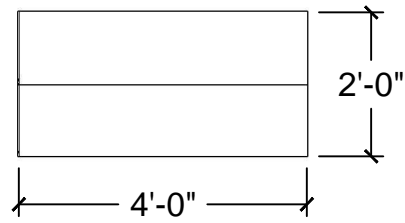
- Paint Finish

Description:

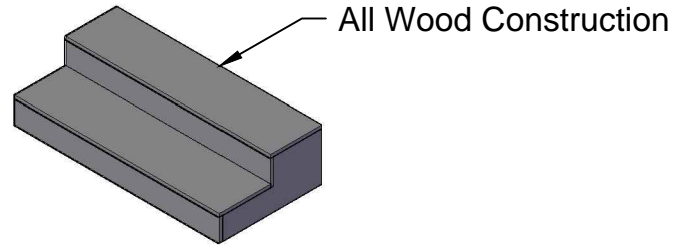
Web_Step Unit - Straight, 6 Rise, 2' Wide, 12 Step

Disclaimer: Design and Drawing are property of Bungalow Scenic Studios. Drawing cannot be reproduced, copied or used for construction without written permission from Bungalow Scenic Studios.

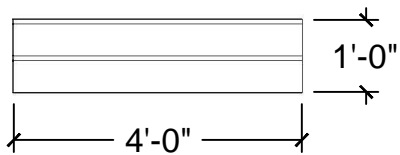
BUNGALOW
scenic studios
3601 Silver Star Road • Orlando, Florida 32808 • 407-401-5191



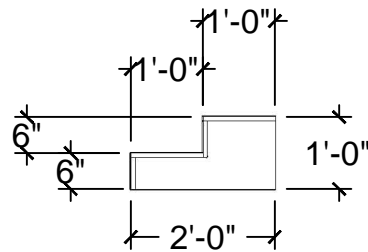
1 **PLAN VIEW**
Scale: 3/8" = 1'-0"



4 **ISO VIEW**
Scale: 3/8" = 1'-0"



2 **FRONT VIEW**
Scale: 3/8" = 1'-0"



3 **SIDE VIEW**
Scale: 3/8" = 1'-0"

Notes:

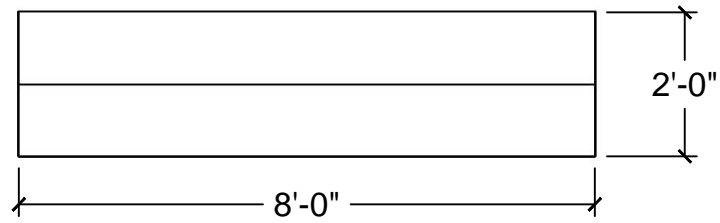
- Paint Finish

Description:

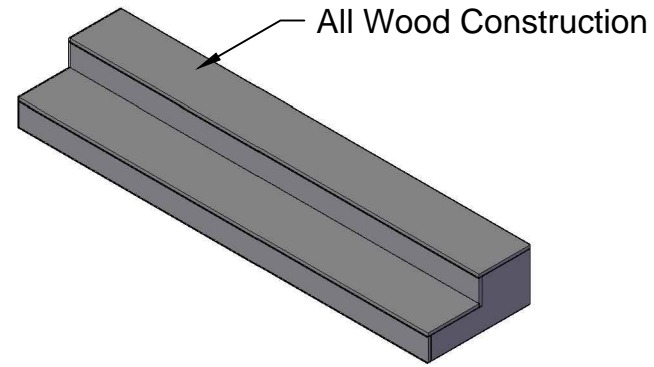
Web_Step Unit - Straight, 6 Rise, 4' Wide, 12 Step

Disclaimer: Design and Drawing are property of Bungalow Scenic Studios. Drawing cannot be reproduced, copied or used for construction without written permission from Bungalow Scenic Studios.

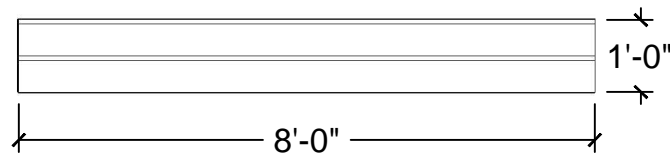
BUNGALOW
scenic studios
3601 Silver Star Road • Orlando, Florida 32808 • 407-401-5191



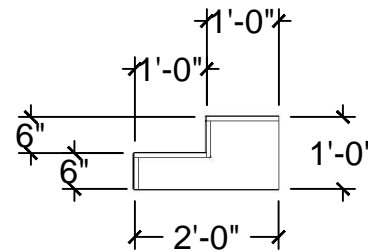
1 **PLAN VIEW**
Scale: 3/8" = 1'-0"



4 **ISO VIEW**
Scale: 3/8" = 1'-0"



2 **FRONT VIEW**
Scale: 3/8" = 1'-0"



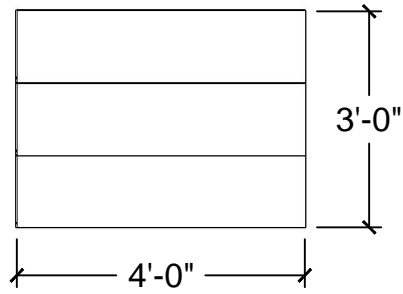
3 **SIDE VIEW**
Scale: 3/8" = 1'-0"

Notes:

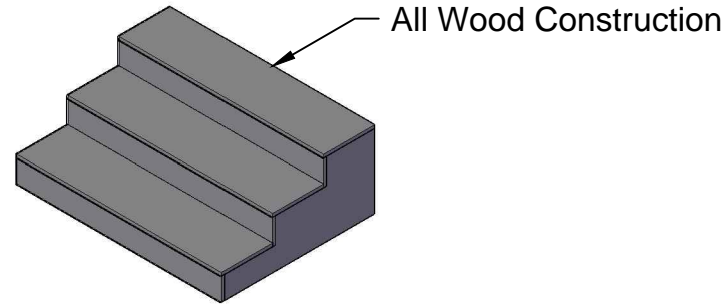
- Paint Finish

Notes:

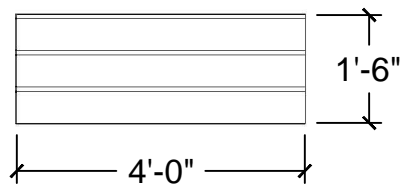
- Paint Finish



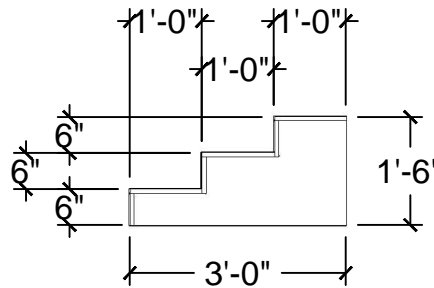
1 PLAN VIEW
Scale: 3/8" = 1'-0"



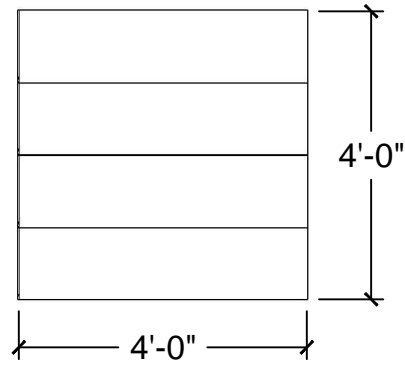
4 ISO VIEW
Scale: 3/8" = 1'-0"



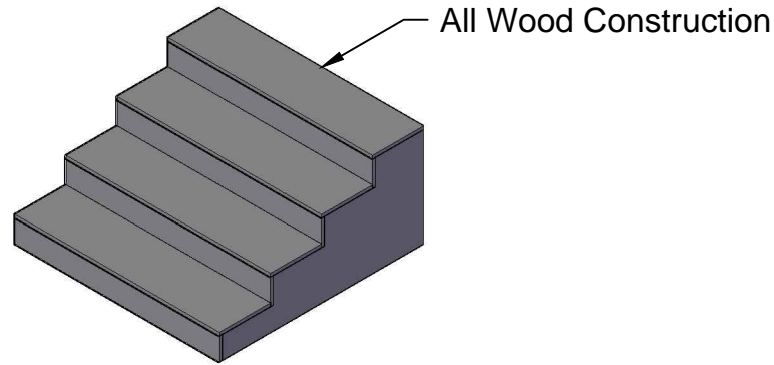
2 FRONT VIEW
Scale: 3/8" = 1'-0"



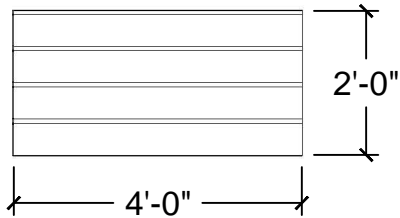
3 SIDE VIEW
Scale: 3/8" = 1'-0"



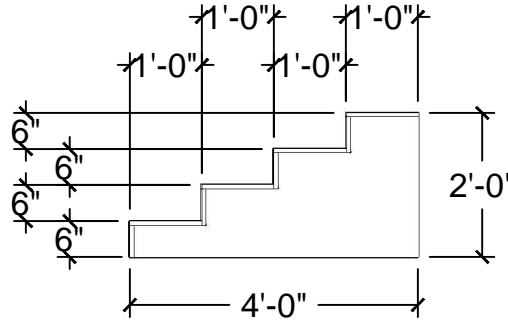
1 PLAN VIEW
Scale: 3/8" = 1'-0"



4 ISO VIEW
Scale: 3/8" = 1'-0"



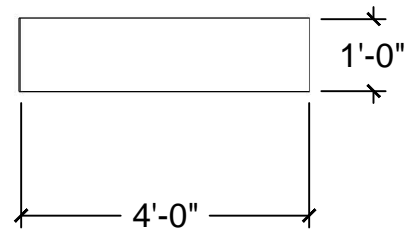
2 FRONT VIEW
Scale: 3/8" = 1'-0"



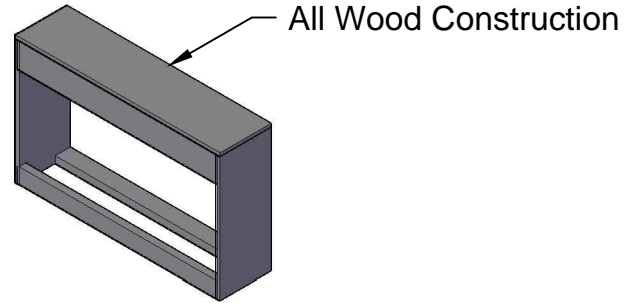
3 SIDE VIEW
Scale: 3/8" = 1'-0"

Notes:

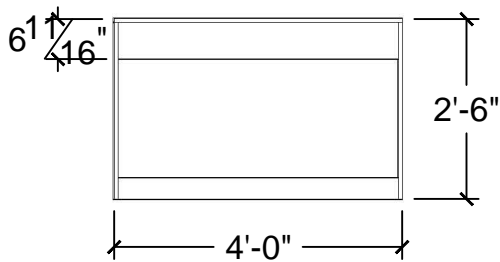
- Paint Finish



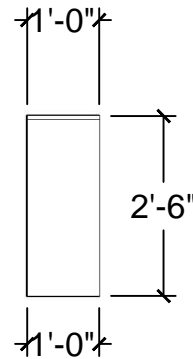
1 **PLAN VIEW**
Scale: 3/8" = 1'-0"



4 **ISO VIEW**
Scale: 3/8" = 1'-0"



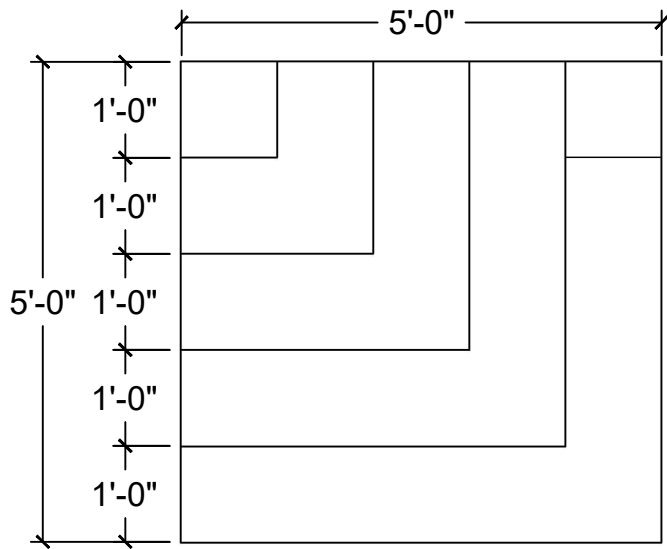
2 **FRONT VIEW**
Scale: 3/8" = 1'-0"



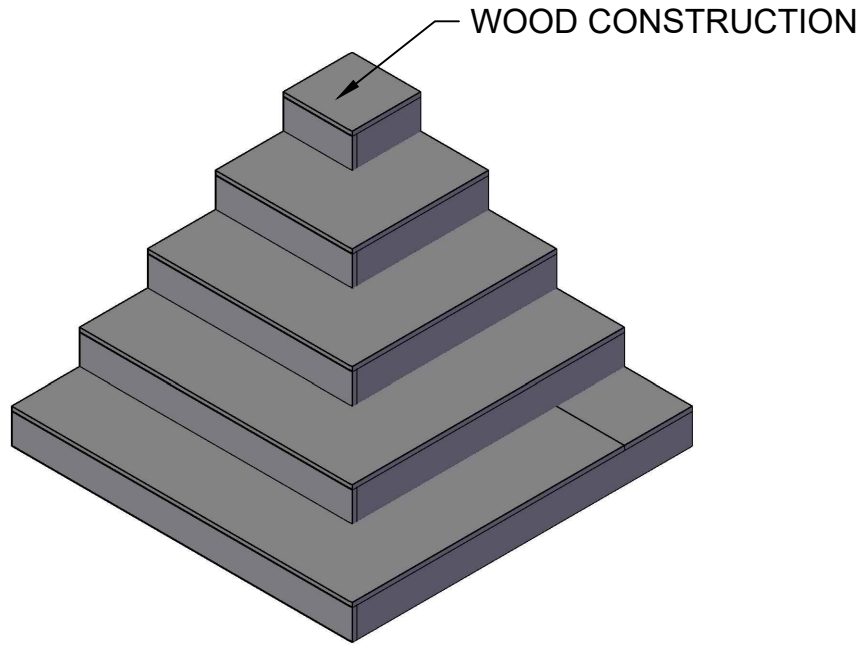
3 **SIDE VIEW**
Scale: 3/8" = 1'-0"

Notes:

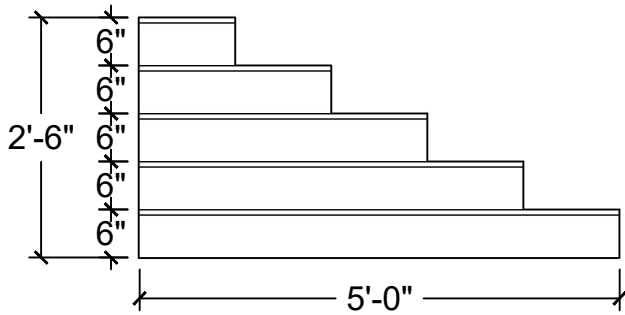
- Paint Finish



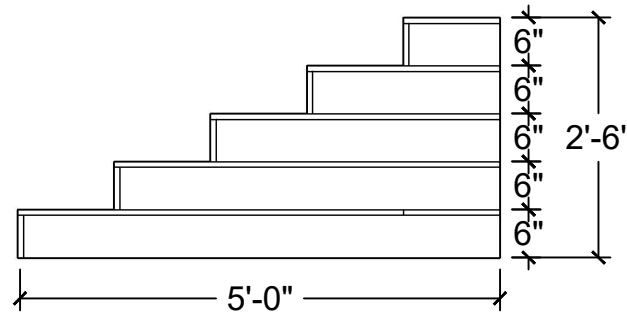
2 **PLAN VIEW**
Scale: 1/2" = 1'-0"



4 **ISO VIEW**
Scale: 1/2" = 1'-0"

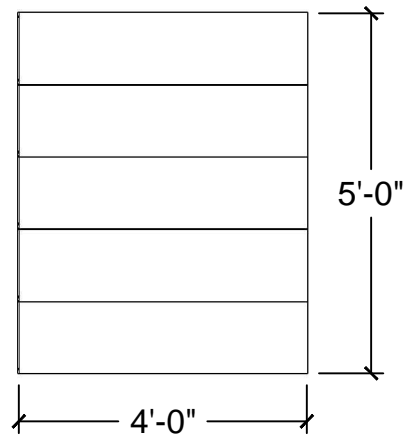


1 **FRONT VIEW**
Scale: 1/2" = 1'-0"

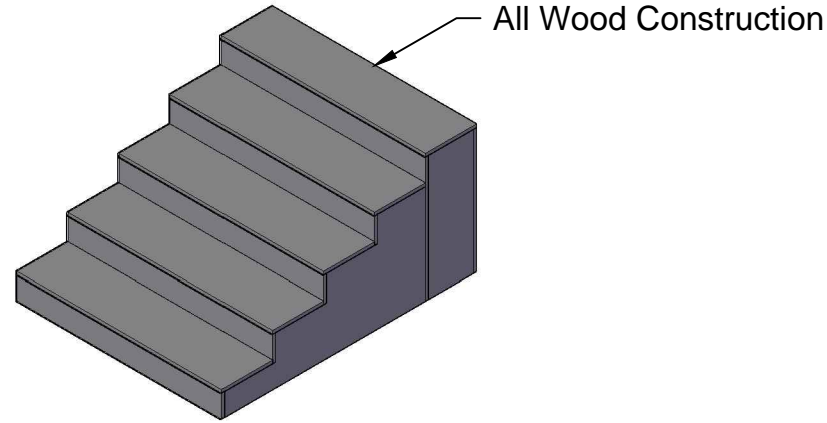


3 **SIDE VIEW**
Scale: 1/2" = 1'-0"

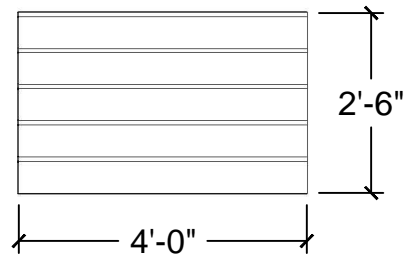
Notes:



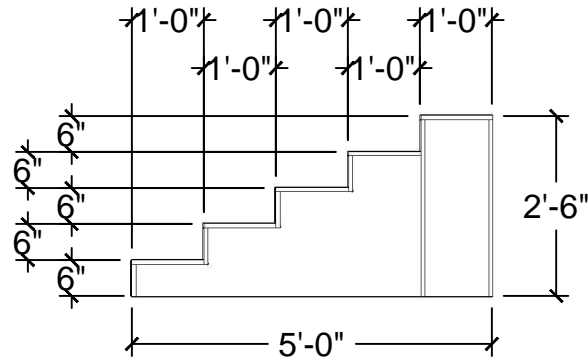
1 **PLAN VIEW**
Scale: 3/8" = 1'-0"



4 **ISO VIEW**
Scale: 3/8" = 1'-0"

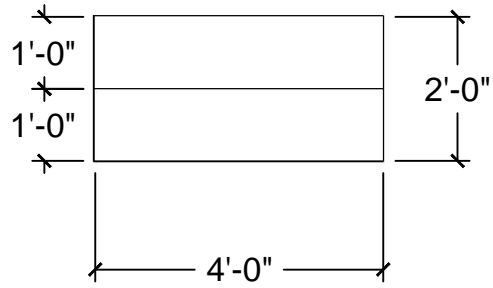


2 **FRONT VIEW**
Scale: 3/8" = 1'-0"

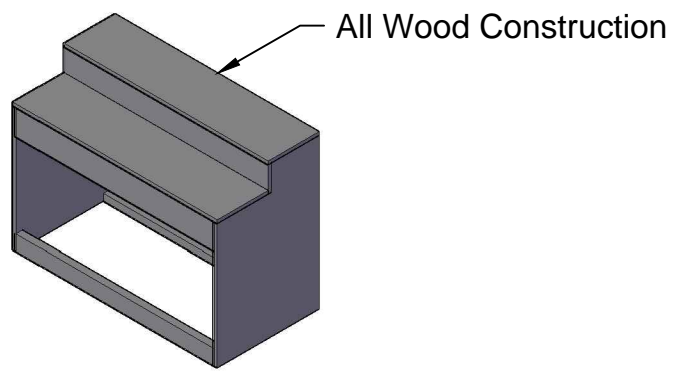


3 **SIDE VIEW**
Scale: 3/8" = 1'-0"

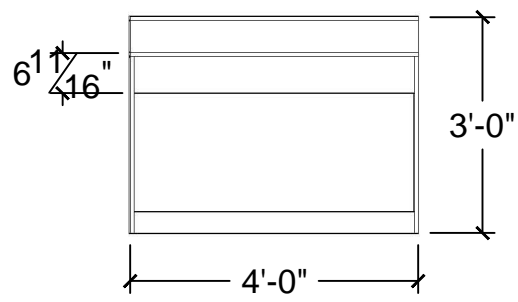
Notes:
•Paint Finish



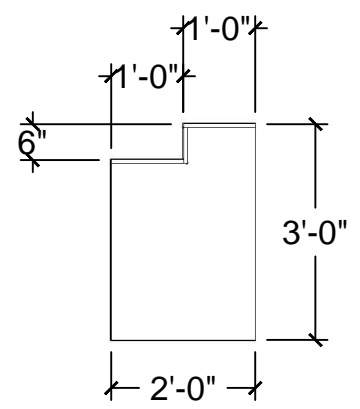
1 **PLAN VIEW**
Scale: 3/8" = 1'-0"



4 **ISO VIEW**
Scale: 3/8" = 1'-0"

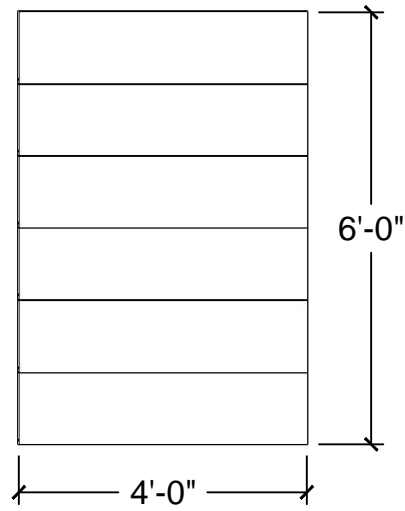


2 **FRONT VIEW**
Scale: 3/8" = 1'-0"

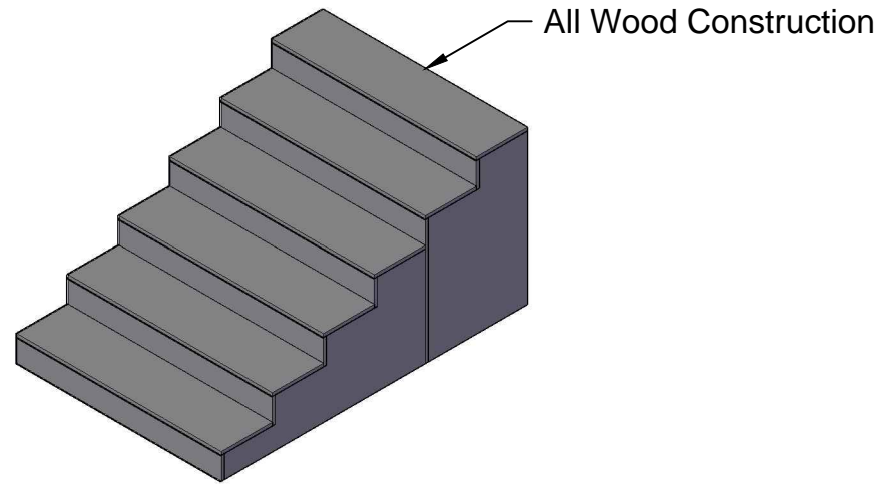


3 **SIDE VIEW**
Scale: 3/8" = 1'-0"

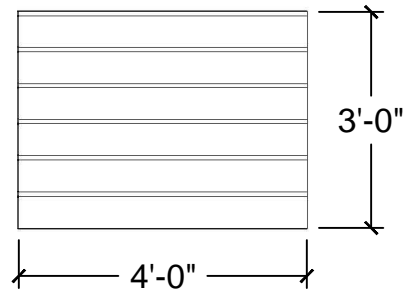
Notes:
•Paint Finish



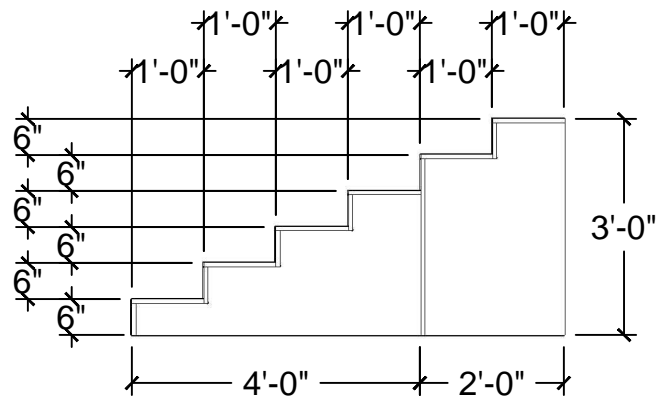
1 **PLAN VIEW**
Scale: 3/8" = 1'-0"



4 **ISO VIEW**
Scale: 3/8" = 1'-0"

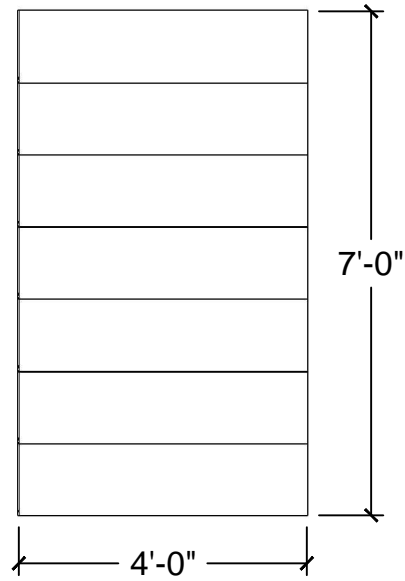


2 **FRONT VIEW**
Scale: 3/8" = 1'-0"

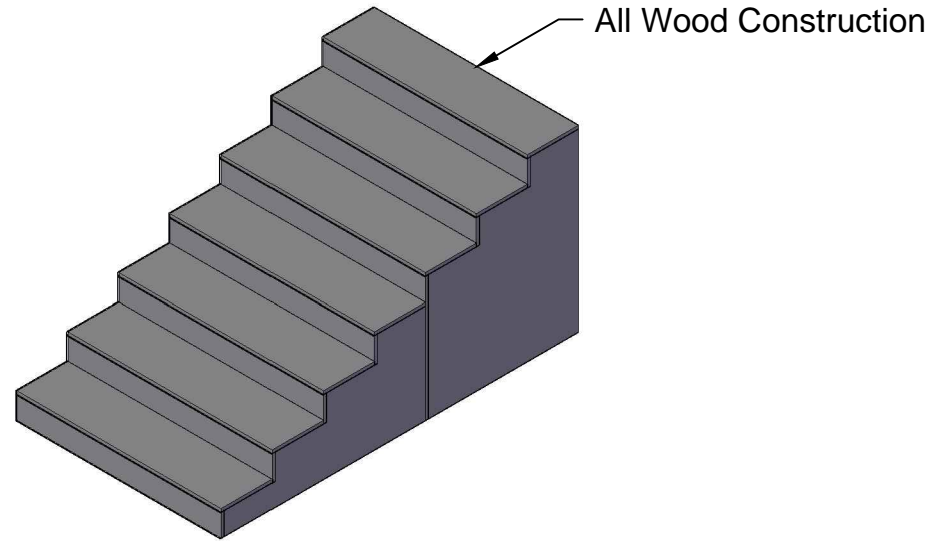


3 **SIDE VIEW**
Scale: 3/8" = 1'-0"

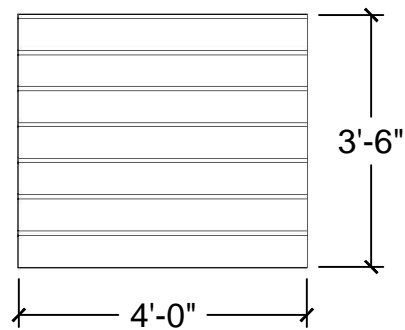
Notes:
•Paint Finish



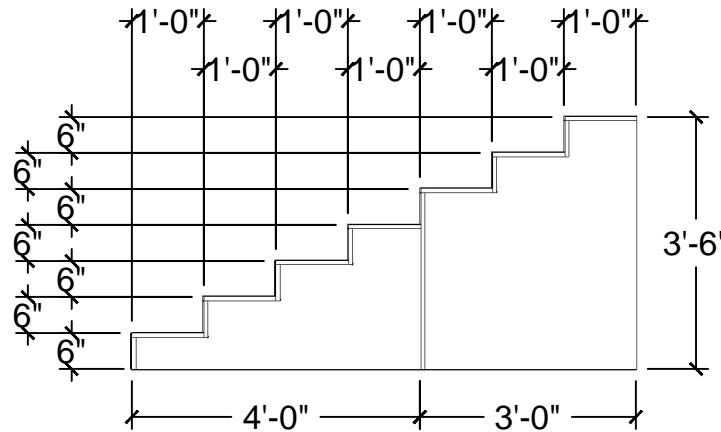
1 PLAN VIEW
Scale: 3/8" = 1'-0"



4 ISO VIEW
Scale: 3/8" = 1'-0"



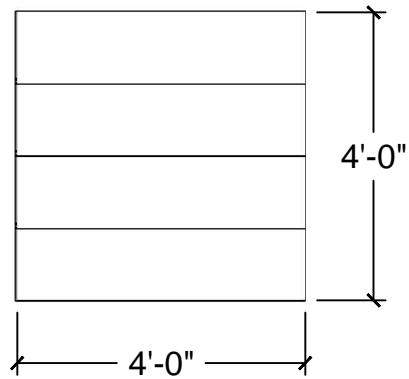
2 FRONT VIEW
Scale: 3/8" = 1'-0"



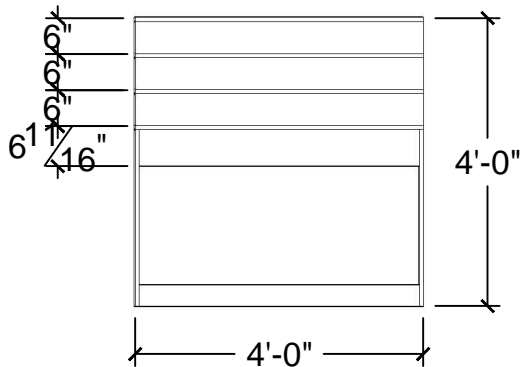
3 SIDE VIEW
Scale: 3/8" = 1'-0"

Notes:

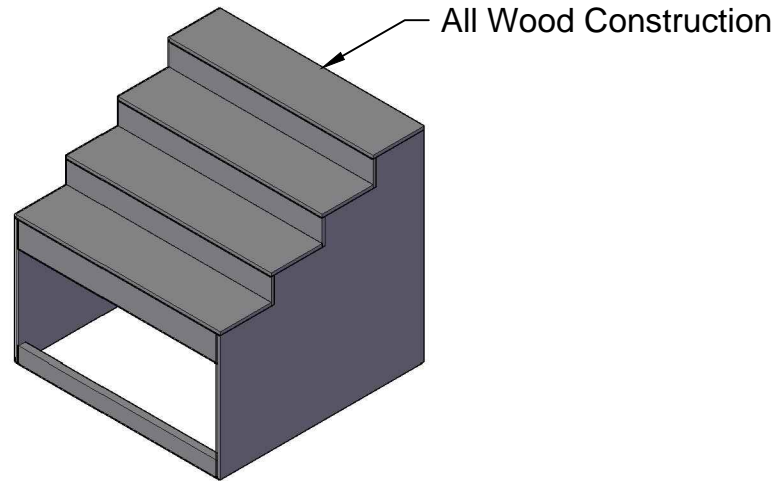
- Paint Finish



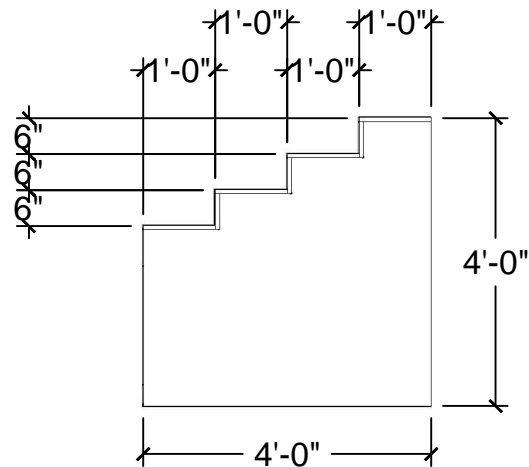
1 **PLAN VIEW**
Scale: 3/8" = 1'-0"



2 **FRONT VIEW**
Scale: 3/8" = 1'-0"



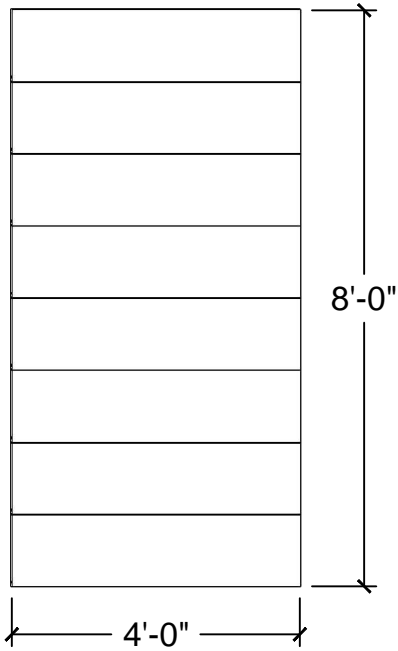
4 **ISO VIEW**
Scale: 3/8" = 1'-0"



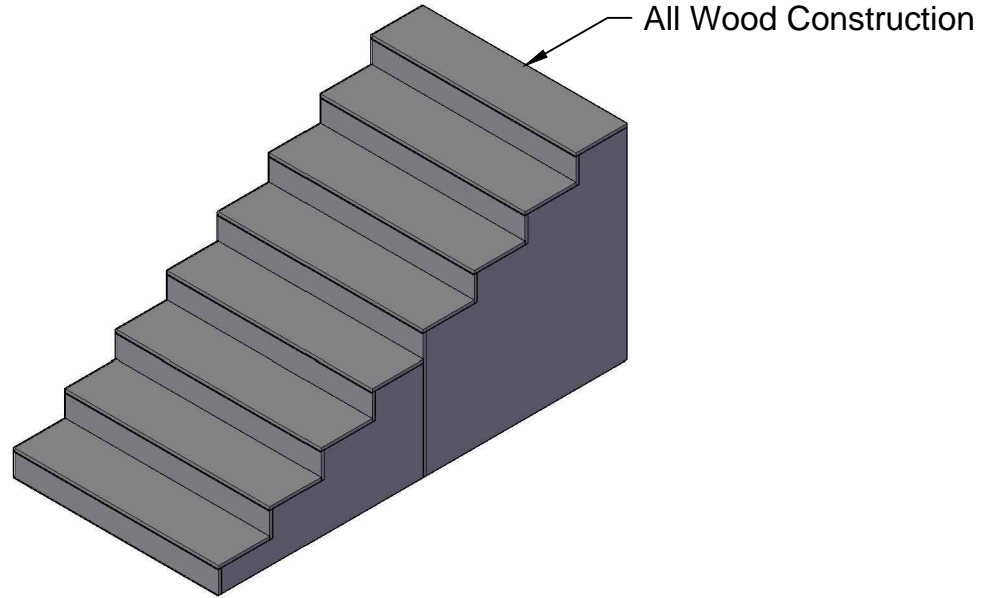
3 **SIDE VIEW**
Scale: 3/8" = 1'-0"

Notes:

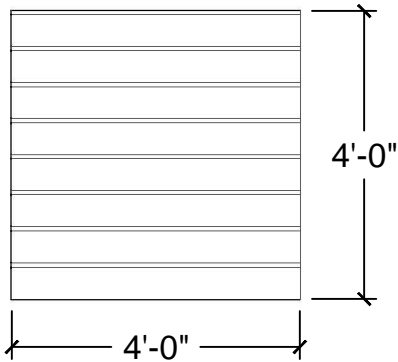
•Paint Finish



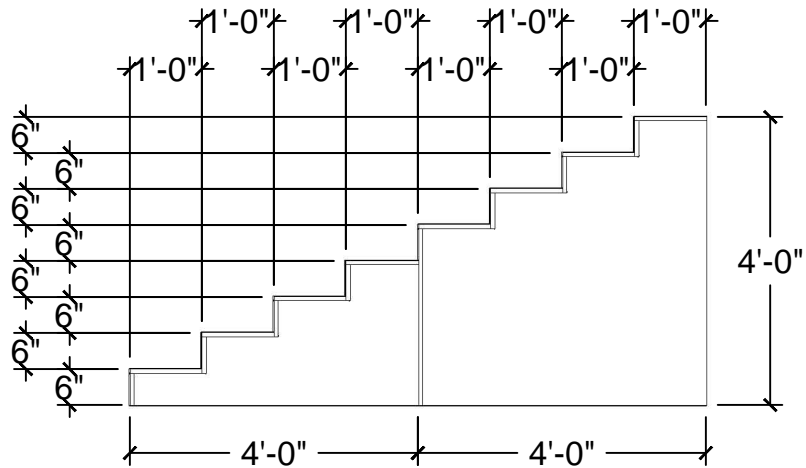
1 PLAN VIEW
Scale: 3/8" = 1'-0"



4 ISO VIEW
Scale: 3/8" = 1'-0"



2 FRONT VIEW
Scale: 3/8" = 1'-0"



3 SIDE VIEW
Scale: 3/8" = 1'-0"

Notes:
•Paint Finish